

# CASPAR LARGE OVAL VESSEL

Cat. No  
5-301



Dusk Gray

Top Dimension: 21-<sup>3</sup>/<sub>4</sub>" x 15"  
Bottom Dimension: 6-<sup>1</sup>/<sub>2</sub>" x 6-<sup>1</sup>/<sub>2</sub>"

Above counter height: 5-<sup>5</sup>/<sub>8</sub>"



Vintage Brown



Copper Green



Maintenance Kit

## Interior Dimensions:

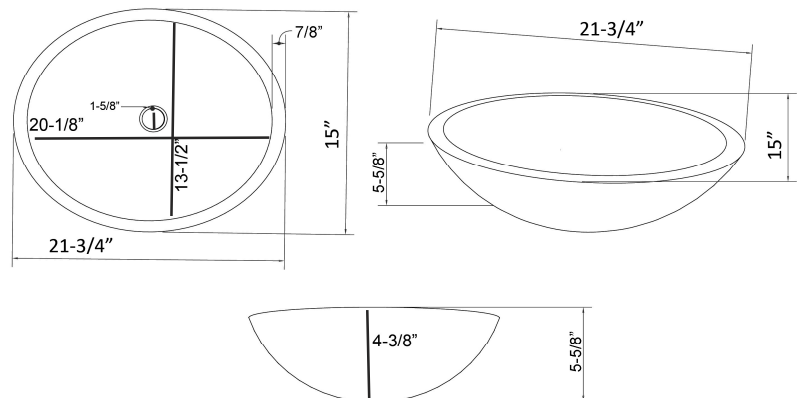
Basin Interior: 20-<sup>1</sup>/<sub>8</sub>" x 13-<sup>1</sup>/<sub>2</sub>"  
Basin Depth: 4-<sup>3</sup>/<sub>8</sub>"

## Features:

- ▶ Seamless concrete construction
- ▶ Above counter basin
- ▶ Maintenance Kit included
- ▶ Mold casted basin is finished by hand
- ▶ No faucet holes
- ▶ 3 Layer coating provides waterproof basin that guards against cracking or scratching
- ▶ <sup>3</sup>/<sub>4</sub>" Rim
- ▶ No overflow
- ▶ Available in 3 colors
- ▶ To be used with Grid Drain # 5601 or Umbrella Drain #UD701 (Not included)

## Colors:

**CGC** Copper Green  
**CDG** Dusk Gray  
**VBC** Vintage Brown



Dimensions of fixture are nominal and may vary slightly. Dimensions and specifications subject to change without notice.