

# 71" MARILYN FREESTANDING ACRYLIC SLIPPER

Cat. No.  
ATFSN71SIG-XX



L: 71"  
W: 31-1/4"  
H: 28"

Water Depth: 23-1/2" to top of tub  
Water depth: 15-3/4" to overflow  
Overflow slot length: 4-1/4"  
Center drain to back of rim: 11-7/8"  
Bottom of drain to floor: 3-1/4"  
Bathing well to floor: 4-7/8"

## Features:

- ▶ Acrylic construction for lighter weight
- ▶ Drain and overflow covers included (available in 6 finishes)
- ▶ No faucet holes
- ▶ Rim measurement: 1-1/2"
- ▶ Overflow slot with integrated drain
- ▶ Drain included
- ▶ Includes built-in adjusters
- ▶ Angle slope of tub: 33°
- ▶ Tub is thoroughly inspected before shipment
- ▶ Option to add foam insulation between tub walls available



## Finishes:

- BN** Brushed Nickel
- CP** Polished Chrome
- ORB** Oil Rubbed Bronze
- PB** Polished Brass
- PN** Polished Nickel
- WT** White

**Custom Colors Available** (inside of tub is always white enamel):  
Painted bathtubs are considered "special order" and are not returnable  
\$160 Bisque or Black \$250 Designer Color

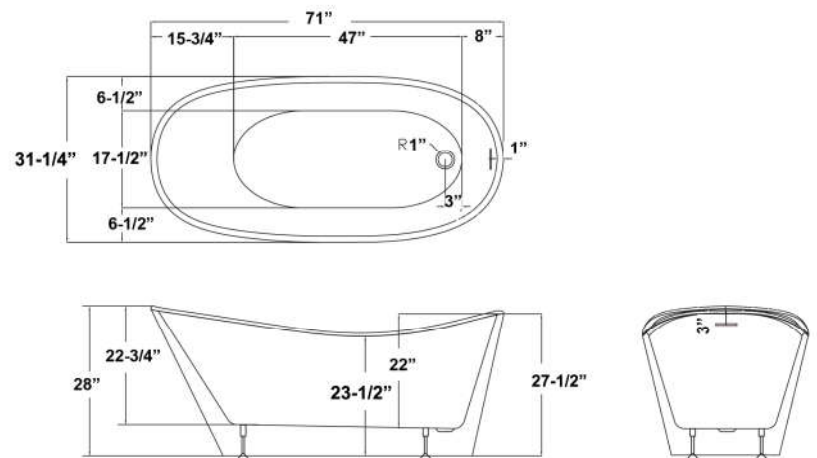
### The following is recommended for ATFSN tubs:

- Faucet: #7020 or #7082 or 7088
- Rigid, freestanding supplies:part #4502
- Freestanding fillers:part #7932, 7934 or 7952  
(Does not need bath supplies)



**For easier instalation we recommend use of 5598-ITD Easy Install Rough In Kit**

Gallon Capacity : 59  
Shipping Weight: 162 lbs.  
Empty Weight: 102 lbs.  
Filled Weight: 595 lbs.



Dimensions of fixture are nominal and specifications subject to change without notice.

01/17/2020

P 847•244•1234

www.barclayproducts.com