

**CLAUDIA
69" ACRYLIC DOUBLE
ROLL TOP TUB**

Cat. No.
ATDRN69I



L: 67"
W: 29-1/8"
H: 24"

Water depth: 17-1/8" to top of tub
Water depth: 12-3/4" to overflow

The following is recommended for ATDRN tubs:

- Faucets: part #4602, 4022 or 4025
- Rigid, freestanding supplies: part #4502
- Leg tub drain: part #5599LT or 5599TS



Overflow can be drilled.
With overflow drilled this tub requires drain 5599PD.
Tubs that have been drilled with overflow are "special order" and are not returnable.

Gallon Capacity: 59
Shipping Weight: 144 lbs.
Empty Weight: 84 lbs.
Filled Weight: 608 lbs.

Features:

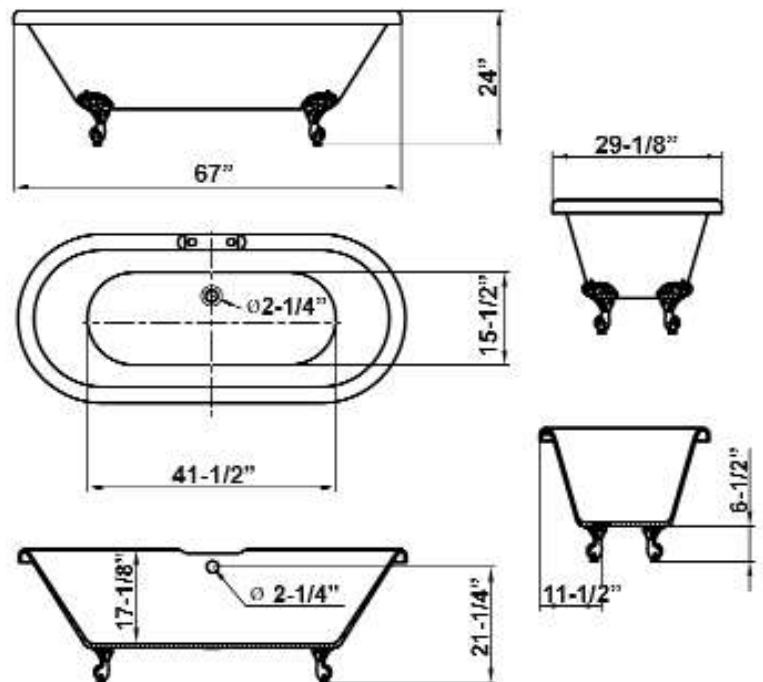
- ▶ Interior and exterior walls acrylic sheets
- ▶ Space between walls partially filled with fiberglass & resin
- ▶ No faucet holes with tap deck
- ▶ No overflow
- ▶ Cast aluminum imperial feet available in 4 finishes
- ▶ Tub is thoroughly inspected before shipment
- ▶ IAPMO Certified



Feet Finishes:

- BN** Brushed Nickel
- CP** Polished Chrome
- PB** Polished Brass
- ORB** Oil Rubbed Bronze

Custom Colors Available (inside of tub is always white enamel):
Painted bathtubs are considered "special order" and are not returnable
\$160 Bisque or Black \$250 Designer Color



Dimensions of fixture are nominal and specifications subject to change without notice.