

# 10" SYKES ROUND BAR SINK

Cat. No  
PSCSB3000



## Basin Dimensions:

Diameter: 12"

Height: 10"

**\*Please do NOT cut hole without  
template or actual product.**

## Interior Dimensions:

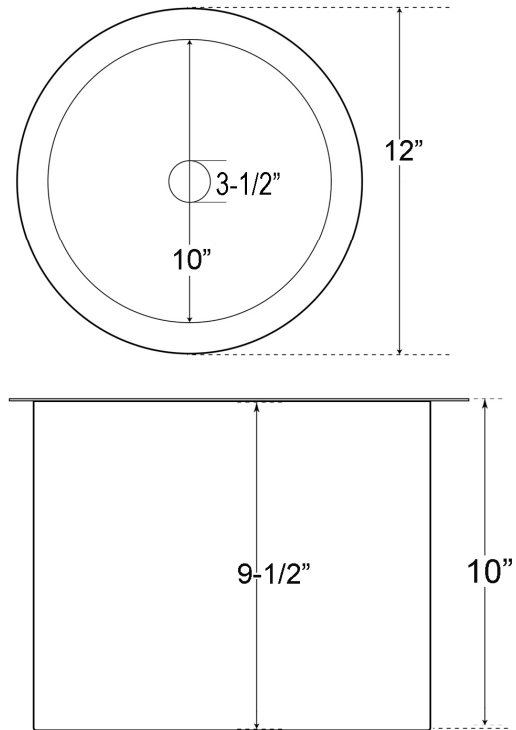
Basin Interior Diameter: 10"  
Basin Depth: 9-1/2"

## Features:

- ▶ Constructed of solid 16 gauge copper
- ▶ Smooth interior and rim
- ▶ Features a deep bowl and flat bottom
- ▶ 8-1/8" bottom
- ▶ 1-1/8" Flat rim
- ▶ Flange measures 4-1/2" in diameter and 1/4" in height
- ▶ Accommodates 3-1/2" drain
- ▶ Drain sold separately
- ▶ May be used as either an undermount or a drop-in
- ▶ Copper is a living finish and will patina over time

## Finishes:

**SAC** Smooth Antique Copper



Dimensions of fixture are nominal and may vary within the range of tolerances established by ANSI Standard A112.19.2. Dimensions and specifications subject to change without notice.