



6508
6608

Features

- Available in 27 finishes including 12 PVD finishes
- All brass construction
- Spout has easy Quick Connect fitting
- Max Flow Rate: 16 gpm (60.6 L/min) at 60 psi
- Comes as complete set with trim and valves

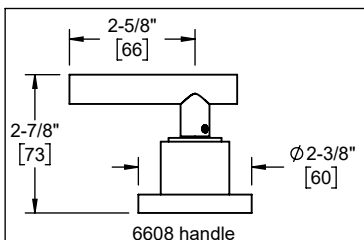
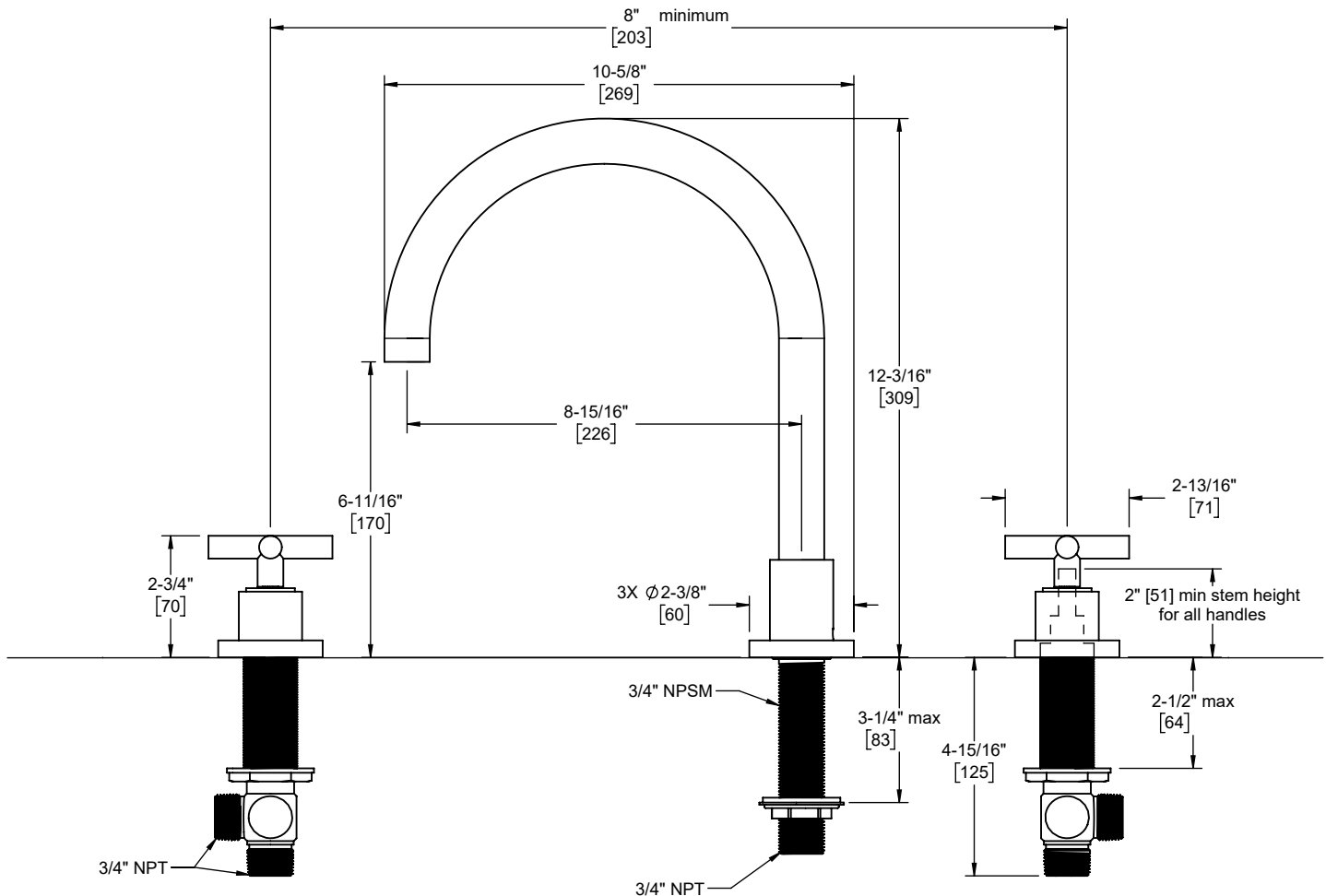
Codes/Standards

Product meets or exceeds the following:

- ASME A112.18.1/CSA B125.1
- ADA compliant (lever handle only)
- Installation of upstream tempering device may be required (verify local codes)



6508 shown



Through-Hole Specifications			
	Min	Recommended	Max
Spout:	Ø 1" [25]	Ø 1-3/8" [35]	Ø 1-5/8" [41]
Valve:	Ø 1-1/4" [32]	Ø 1-3/8" [35]	Ø 1-5/8" [41]

Dimensions are inches, rounded to 1/16"
[Dimensions in brackets are mm, rounded to 1mm]