



California Faucets®

CHRISTOPHERGRUBB Collection

Trousdale™

Decorative Grab Bar with Slide

Features

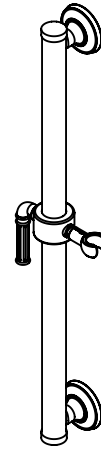
- 25+ artisan finishes including 12 PVD finishes
- All brass construction
- Adjustable position slide with positive-lock swivel holder
- Accepts most conical handshower hoses
- Right or left handed based on installation
- 1-1/4" diameter bar
- Concealed mounting
- Mounting hardware included

Codes/Standards Applicable

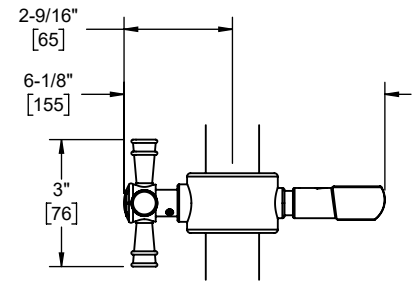
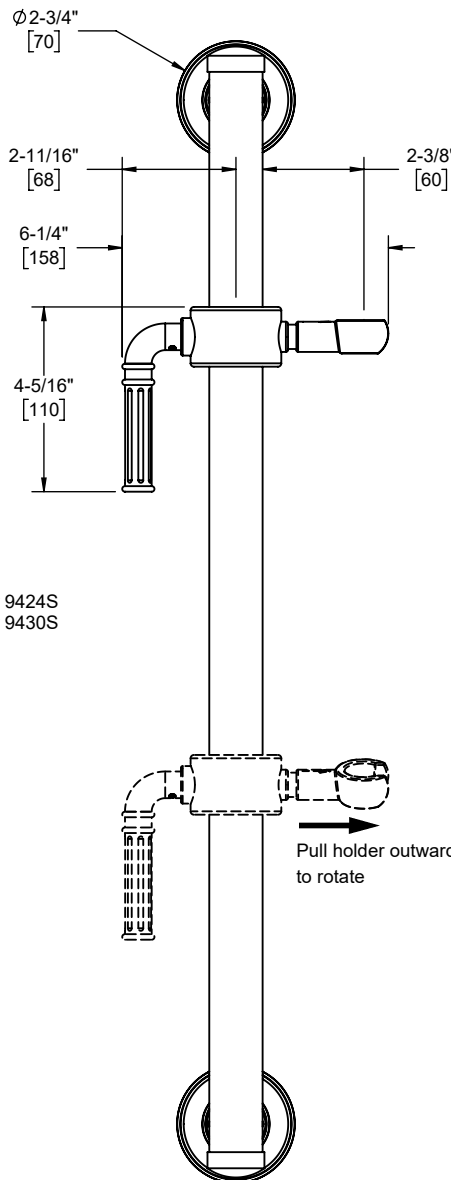
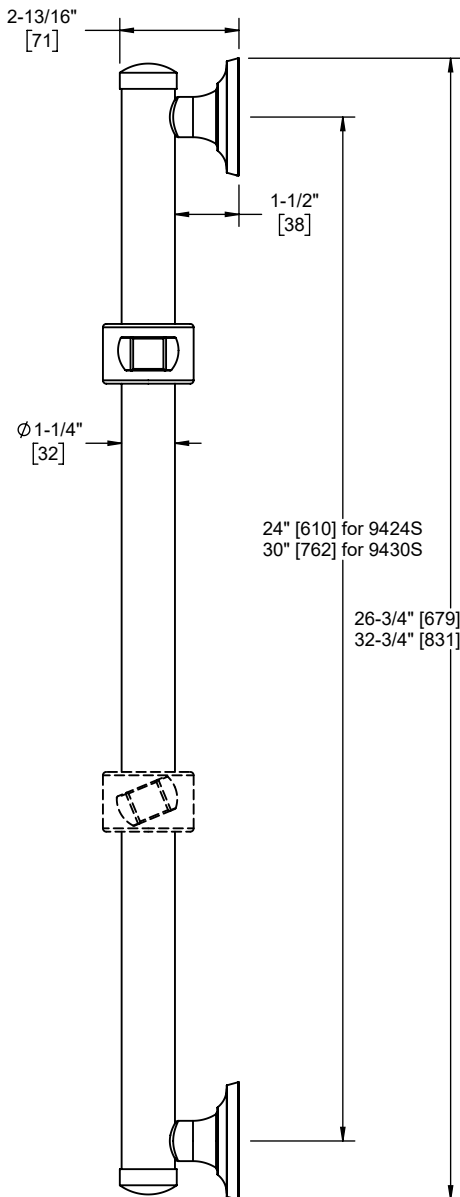
Product meets or exceeds the following:

- ASME A112.18.1/CSA B125.1
- ADA compliant grab bar

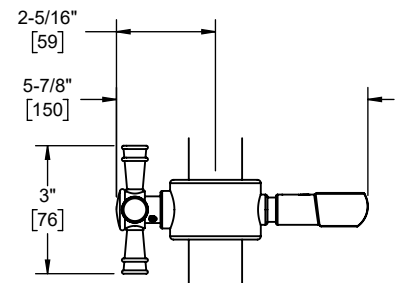
9424S-C1
 9424S-C1X
 9424S-C1XS
 9430S-C1
 9430S-C1X
 9430S-C1XS



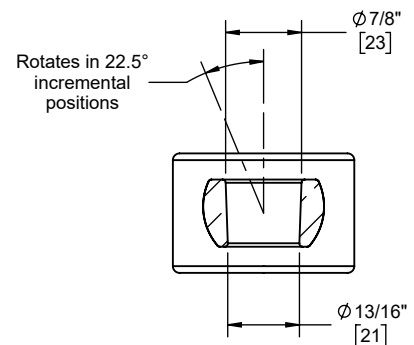
9424S-C1 shown



-C1X holder dimensions



-C1XS holder dimensions



(8X) - #8 X 1-3/4" phillips head screw

Dimensions are inches, rounded to 1/16"
 [Dimensions in brackets are mm, rounded to 1mm]

Specifications subject to change without notice