



California Faucets®

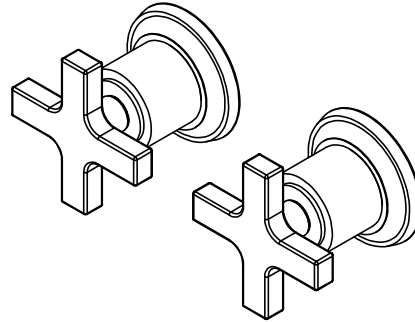
# Rincon Bay™

2 HANDLE TUB OR SHOWER TRIM

## TO-4506XL

### Features

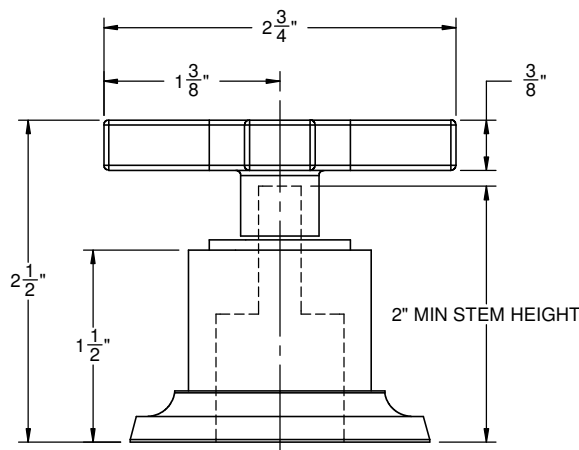
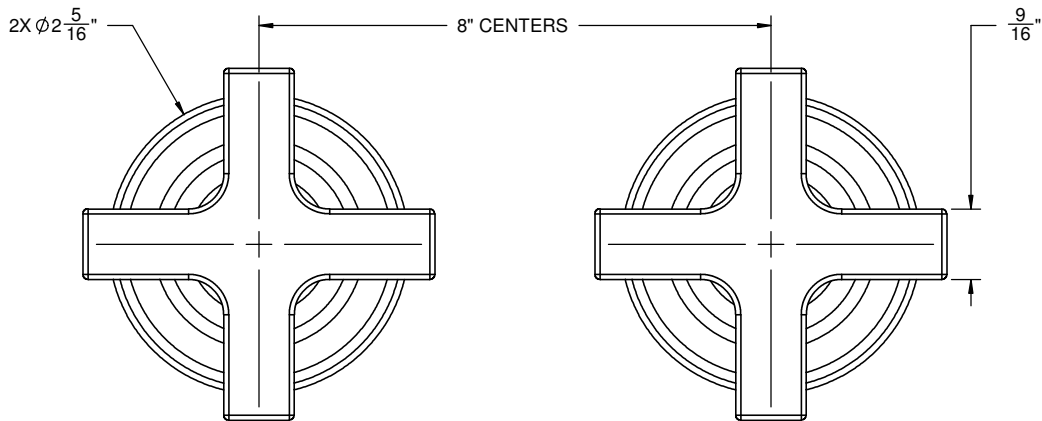
- Solid brass construction
- Less head, arm, flange and spout
- Requires rough-in (2-VR) sold separately
- Over 30 finishes including 15 PVD finishes



### Codes/Standards

Product meets or exceeds the following:

- ASME A112.18.1/CSA B125.1



#### THRU HOLE SPECIFICATIONS

MIN	RECOMMENDED	MAX
VALVE: Ø1-1/8"	Ø1-3/8"	Ø1-5/8"

SPECIFICATIONS SUBJECT TO CHANGE WITHOUT NOTICE

ALL DIMENSIONS SHOWN TO NEAREST 1/16"