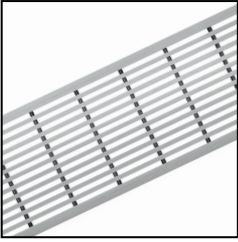


# ID Infinity Drain



## S-LAG 65 Low Profile Site Sizable Series

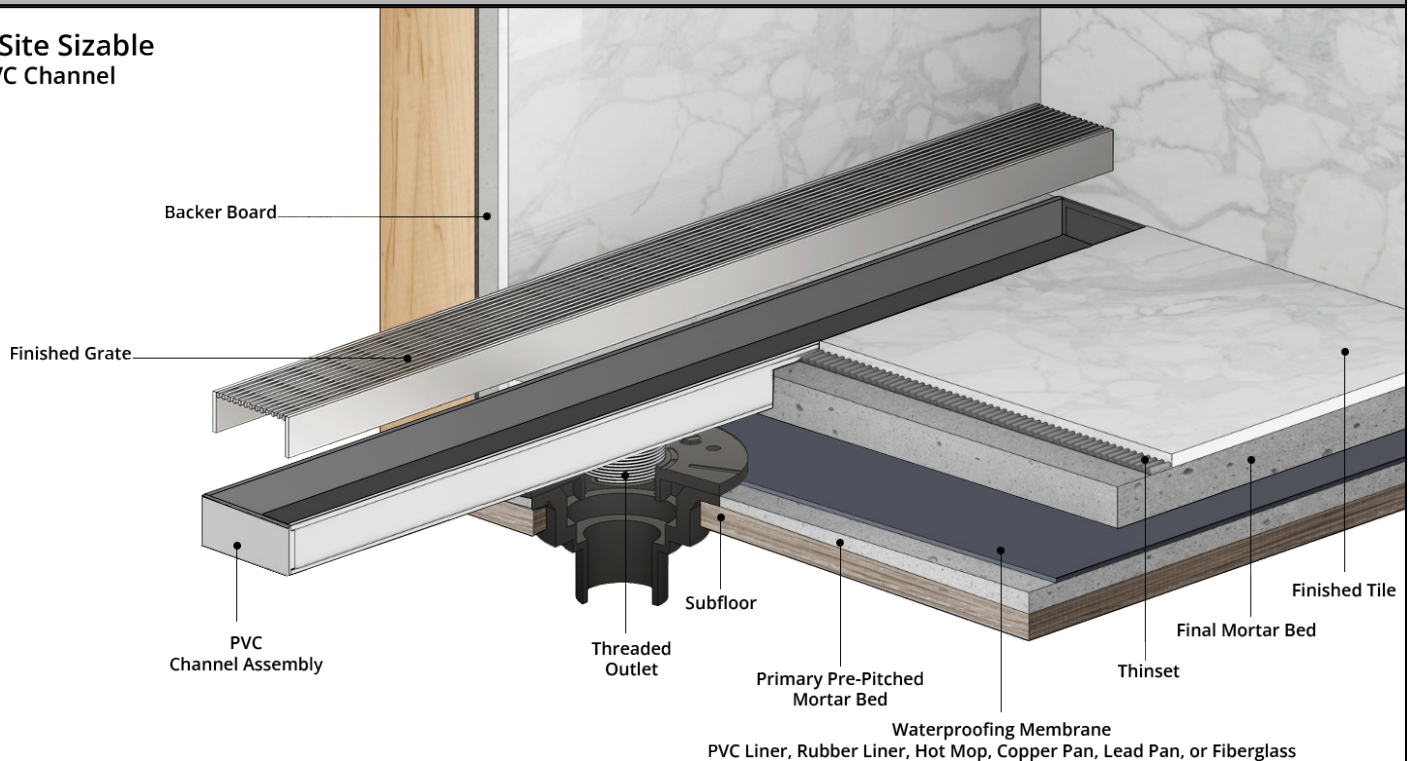
- S-LAG 6536 - 36" Complete Kit
- S-LAG 6548 - 48" Complete Kit
- S-LAG 6560 - 60" Complete Kit
- S-LAG 6572 - 72" Complete Kit
- S-LAG 6596 - 96" Complete Kit

### Features

- 12 gauge, 316L stainless steel Wedge Wire grate
- Modify length and outlet location on site
- Indoor or outdoor use
- PVC Channel
- Low profile 1" Height
- Works with 2" clamp down floor with 2" throat/strainer size *(not included)*
- Compatible with: PVC Liner, Rubber Liner (Chloraloy®), Hot Mop, Lead Pan, Copper Pan, or Fiberglass
- Flow rate - 9 gpm per outlet
  - Flow rate measured at outlet only. Measurement does not account for water in channel or sheeting on shower floor.
  - Additional outlets can be added and combined into a larger waste line to increase flow rates

### Installation

#### S Site Sizable PVC Channel



### Care & Maintenance

S-LAG 65 stainless steel linear drain top grates are made of 316L stainless steel. This material is non-porous, hygienic, rust-free and extremely durable. Bar Keepers Friend® and Soft Scrub® are commonly available products that can be used to protect and clean your Satin Stainless drain cover. For stains that have been left for an excessive amount of time, stronger cleaning agents such as Compound 302® may be needed. For all finishes we recommend using mild soap and a soft cloth for cleaning. DO NOT use any abrasive cleaners, scrub pads or allow household cleaning agents, such as bleach, to sit on the drain cover for a long period of time. Stainless steel does not rust. External factors, such as contamination from other highly ferrous metals, built up road salt, sea salt, or chlorine may have caused "surface" rust which can be removed using Barkeepers Friend®, Soft Scrub®, or Steel Brite Cleaner. Always follow the directions on the bottle. Follow proper maintenance procedures to prevent excessive surface rust. In areas of frequent exposure to salt, chlorine, and other chemical compounds, maintenance of the stainless grates should be performed at least 2-3 times per year.

**Infinity Drain**  
145 Dixon Avenue  
Amityville, NY 11701  
Phone: 516.767.6786  
Fax: 516.740.3066  
www.Infinitydrain.com



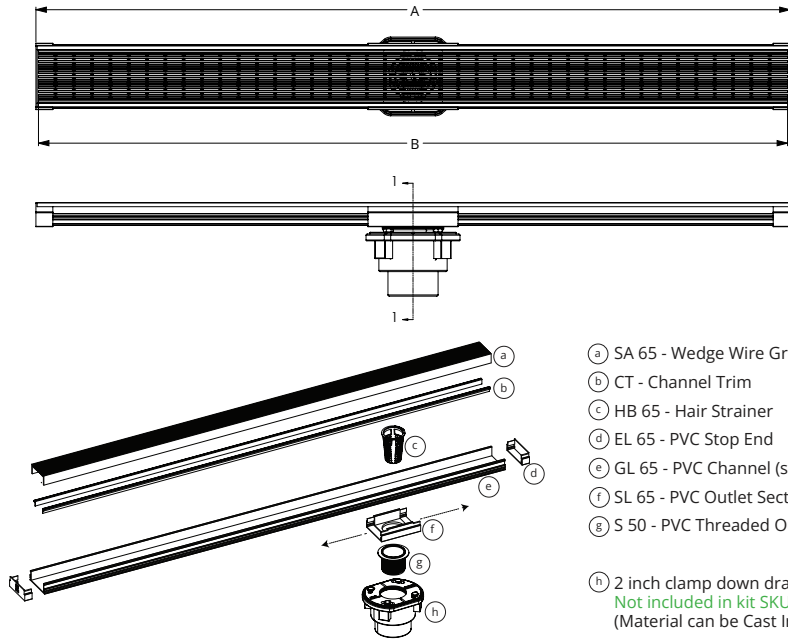
NOTE: Installer must verify all rough-in dimensions prior to installation and consult local and national codes. Conformity and compliance to local and national codes are the responsibility of the installer.

# ID Infinity Drain

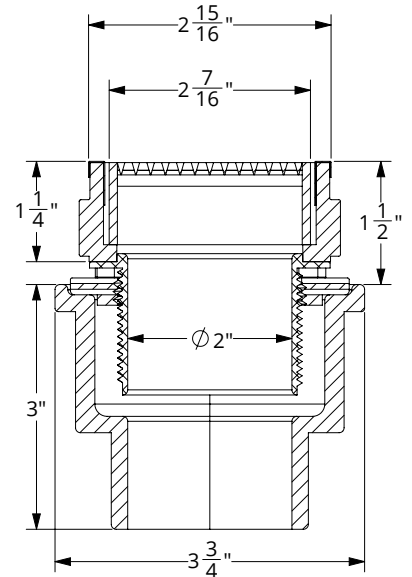
S-LAG 6536

S-LAG 6548

S-LAG 6560



- (a) SA 65 - Wedge Wire Grate
- (b) CT - Channel Trim
- (c) HB 65 - Hair Strainer
- (d) EL 65 - PVC Stop End
- (e) GL 65 - PVC Channel (ships as one piece)
- (f) SL 65 - PVC Outlet Section
- (g) S 50 - PVC Threaded Outlet
- (h) 2 inch clamp down drain assembly  
Not included in kit SKU.  
(Material can be Cast Iron, ABS, or PVC)



**SECTION A-A**

Model Number	Complete Kit Contents	A (Maximum Overall Length)	B (Maximum Grate Length)
<input type="checkbox"/> S-LAG 6536	1 - SA 6536 Stainless Steel Grate 1 - GL 6536 PVC Channel 1 - CS 6536 Channel Spacer 2 - EL 65 PVC Stop Ends 1 - SL 65 PVC Outlet Section 1 - S 50 PVC Threaded Outlet 1 - HMK-65-A: 1 HB 65 Hair Basket 1 AKEY Lift Out Key 2 - CT 36 Channel Trims	36"	35 7/8"
<input type="checkbox"/> S-LAG 6548	1 - SA 6548 Stainless Steel Grate 1 - GL 6548 PVC Channel 1 - CS 6548 Channel Spacer 2 - EL 65 PVC Stop Ends 1 - SL 65 PVC Outlet Section 1 - S 50 PVC Threaded Outlet 1 - HMK-65-A: 1 HB 65 Hair Basket 1 AKEY Lift Out Key 2 - CT 48 Channel Trims	48"	47 7/8"
<input type="checkbox"/> S-LAG 6560	1 - SA 6560 Stainless Steel Grate 1 - GL 6560 PVC Channel 1 - CS 6560 Channel Spacer 2 - EL 65 PVC Stop Ends 1 - SL 65 PVC Outlet Section 1 - S 50 PVC Threaded Outlet 1 - HMK-65-A: 1 HB 65 Hair Basket 1 AKEY Lift Out Key 2 - CT 60 Channel Trims	60"	59 7/8"

**Finishes**

- Satin Stainless (SS)     Polished Stainless (PS)     Oil Rubbed Bronze (ORB)     Satin Bronze (SB)     Matte Black (BK)

**Infinity Drain**  
 145 Dixon Avenue  
 Amityville, NY 11701  
 Phone: 516.767.6786  
 Fax: 516.740.3066  
 www.Infinitydrain.com

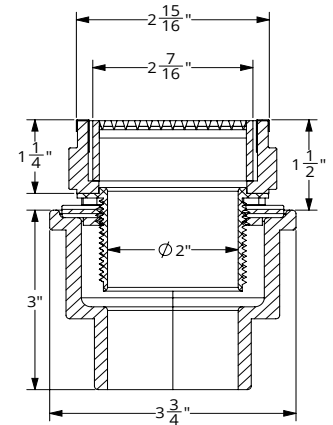
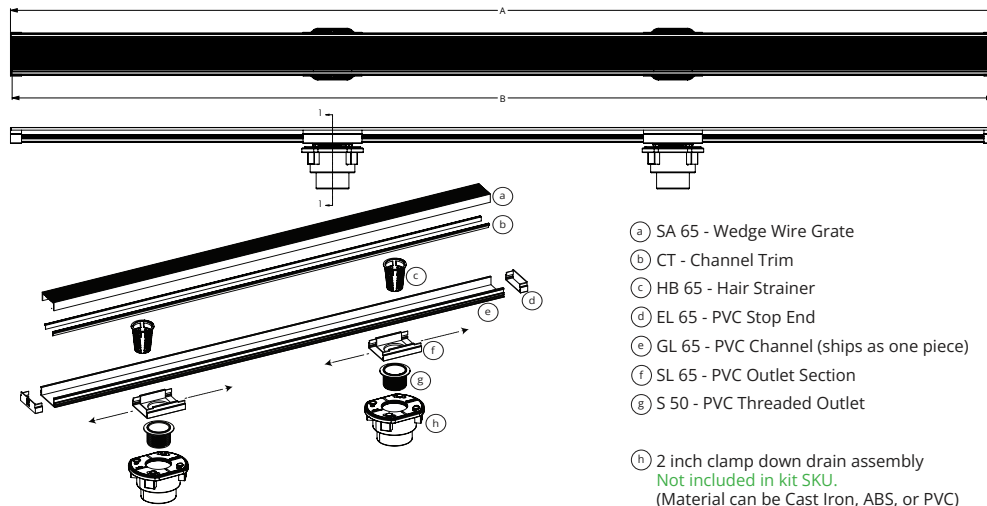


NOTE: Installer must verify all rough-in dimensions prior to installation and consult local and national codes. Conformity and compliance to local and national codes are the responsibility of the installer.

# ID Infinity Drain

## S-LAG 6572

## S-LAG 6596

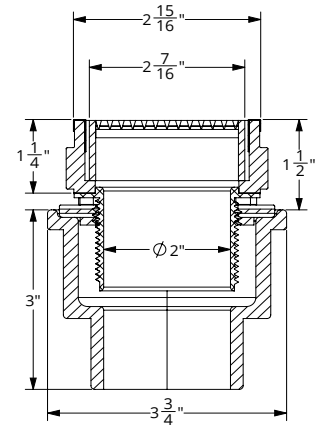
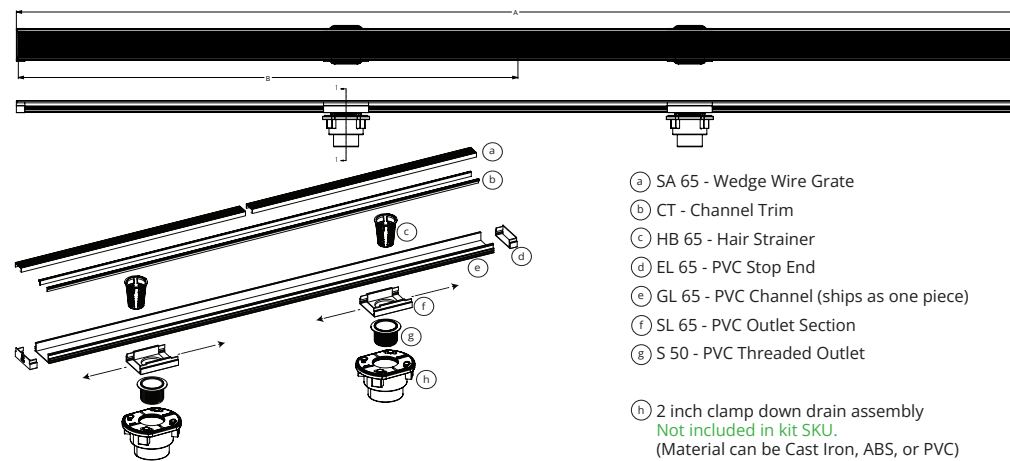


**SECTION A-A**

Model Number	Complete Kit Contents	A (Maximum Overall Length)	B (Maximum Grate Length)
S-LAG 6572	1 - SA 6572 Stainless Steel Grate 1 - GL 6572 PVC Channel 1 - CS 6572 Channel Spacer 2 - EL 65 PVC Stop Ends 2 - SL 65 PVC Outlet Sections 2 - S 50 PVC Threaded Outlets 2 - HMK-65-2A: 2 HB 65 Hair Baskets 1 AKEY Lift Out Key 2 - CT 72 Channel Trims	72"	71 7/8"

### Finishes

Satin Stainless (SS)  
  Polished Stainless (PS)  
  Oil Rubbed Bronze (ORB)  
  Satin Bronze (SB)  
  Matte Black (BK)



**SECTION A-A**

Model Number	Complete Kit Contents	A (Maximum Overall Length)	B (Maximum Grate Length)
S-LAG 6596	2 - SA 6548 Stainless Steel Grate 1 - GL 6596 PVC Channel 1 - CS 6596 Channel Spacer 2 - EL 65 PVC Stop Ends 2 - SL 65 PVC Outlet Sections 2 - S 50 PVC Threaded Outlets 2 - HMK-65-2A: 2 HB 65 Hair Baskets 1 AKEY Lift Out Key 2 - CT 96 Channel Trims	96"	47 7/8" (x 2)

### Finishes

Satin Stainless (SS)  
  Polished Stainless (PS)  
  Oil Rubbed Bronze (ORB)  
  Satin Bronze (SB)  
  Matte Black (BK)

**Infinity Drain**  
 145 Dixon Avenue  
 Amityville, NY 11701  
 Phone: 516.767.6786  
 Fax: 516.740.3066  
[www.Infinitydrain.com](http://www.Infinitydrain.com)



NOTE: Installer must verify all rough-in dimensions prior to installation and consult local and national codes. Conformity and compliance to local and national codes are the responsibility of the installer.