

KALLISTA®

Per Se® Wall-Mounted Basin Set

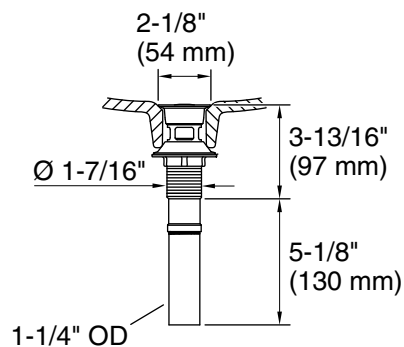
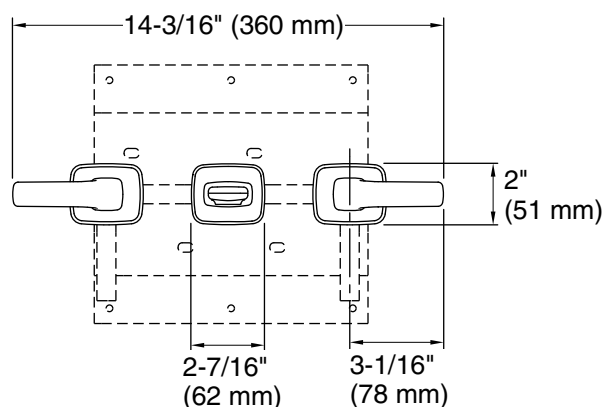
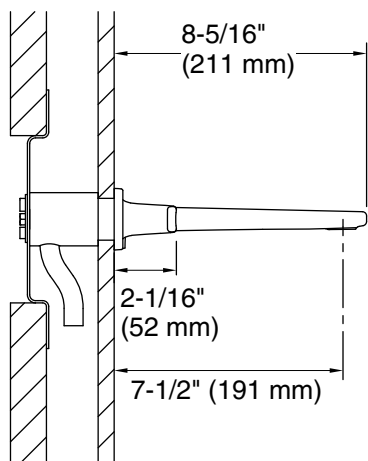
FEATURES

- Solid metal construction for durability and reliability
- Quarter-turn washerless ceramic disc valves
- 1.2 gal/min (4.5 l/min) maximum flow rate
- Includes Soft Touch drain
- Thin, slender form
- Meets CalGreen requirements for bathroom sink faucets
- Complements the Per Se collection

CODES/STANDARDS APPLICABLE

- Specified model meets or exceeds the following:
- ADA
 - ASME A112.18.1/CSA B125.1
 - ICC/ANSI A117.1
 - NSF 61
 - EPA WaterSense®
 - All applicable US Federal and State material regulations

P24702



Soft Touch Drain

| SPECIFIED MODEL | | | | | | |
|-------------------|---|---|---|--|--|--|
| Model | Description | Finishes | | | | |
| P24702-LV | Per Se Wall-Mounted Basin Set, Lever Handle | <input type="checkbox"/> CP Polished Chrome | <input type="checkbox"/> AD Nickel Silver | <input type="checkbox"/> AG Brushed Nickel | <input type="checkbox"/> W7 Black Nickel | <input type="checkbox"/> 24K Polished Gold |
| Required Rough-in | | | | | | |
| P29304-00 | Rough-in | <input type="checkbox"/> NA | | | | |

We reserve the right to make revisions without notice in the design of products or in packaging unless this right has specifically been waived at the time the order is accepted.