

P50202,  
P50203

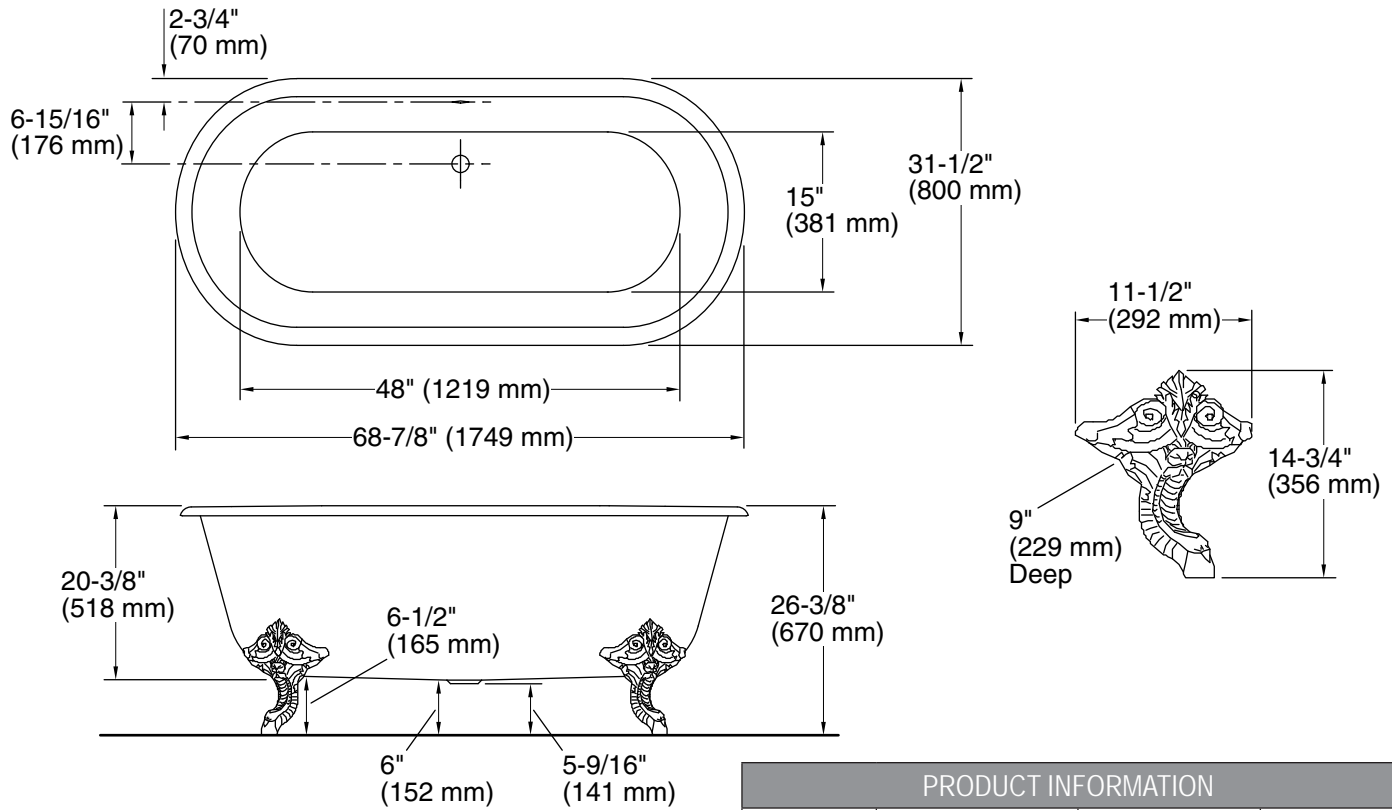
## FEATURES

- Freestanding oval bath constructed of durable cast iron
- The interior of the bath is enameled; the exterior of the bath available in primed or painted options
- Beautifully crafted coordinating claw feet
- Generous 16" (406 mm) depth
- Complements Kallista faucets and fixtures

## CODES/STANDARDS APPLICABLE

Specified model meets or exceeds the following:

- ASME A112.19.1/CSA B45.2
- IAPMO/cUPC
- ASTM F462



## PRODUCT INFORMATION

Fixture*:	Top Area	Inside Area	Weight
Bathing Well	68-7/8" (1749 mm) x 31-1/2" (800 mm)	48" (1219 mm) x 15" (381 mm)	340 lbs (154 kg)
	Water Depth	Capacity	
To Overflow	16" (406 mm)	72 gal (272.5 L)	
*Approximate measurements for comparison only.			
Feet primed for painting.			

## INSTALLATION NOTES

Alkyd enamel finish to be applied to primed exterior of bath and feet by brush.

## SPECIFIED MODEL

Model	Description	Finishes				
P50202-NA	Circe Cast Iron Claw Foot Bath with Primed Exterior, Less Feet	<input type="checkbox"/> 0 White				
P50202-P5	Circe Cast Iron Claw Foot Bath with Iron Black Paint Exterior, Less Feet	<input type="checkbox"/> 0 White				
P50202-W	Circe Cast Iron Claw Foot Bath with White Paint Exterior, Less Feet	<input type="checkbox"/> 0 White				
P50203-00	Circe Cast Iron Claw Feet	<input type="checkbox"/> NA Primed	<input type="checkbox"/> CP Polished Chrome	<input type="checkbox"/> AD Nickel Silver	<input type="checkbox"/> P5 Iron Black Paint	<input type="checkbox"/> W White Paint
Required Accessories						
P21572-00	Waste and Overflow for Circe Bath	<input type="checkbox"/> CP Polished Chrome	<input type="checkbox"/> AD Nickel Silver	<input type="checkbox"/> AG Brushed Nickel	<input type="checkbox"/> BZ Antique Bronze	

We reserve the right to make revisions without notice in the design of products or in packaging unless this right has specifically been waived at the time the order is accepted.