

### Features

- 18" soaking depth.
- Center drain.
- Integral lumbar support.
- Wide ledge on one side is ideal for deck-mount faucet and/or handshower.
- Textured bottom surface.
- K-37385 drain recommended for non-deck mounted faucets only.
- 60" (1524 mm) x 34" (864 mm) x 24-1/4" (616mm)

### Material

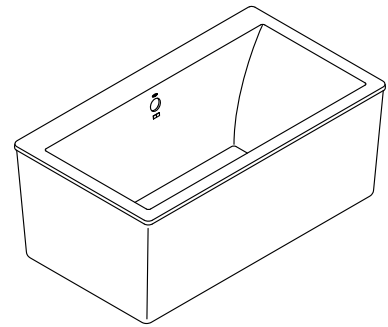
- Acrylic

### Installation

- Freestanding

### Recommended Accessories

- K-7265 Clearflo Bath Drain
- K-37383 30" Rough-in Cable Bath Drain
- K-37386 30" Rough-in Cable Bath Drain
- K-24916 Wireless Music Kit
- K-T37391 Bath Cable Drain Trim
- K-T37392 Bath Cable Drain Trim
- K-T37393 Bath Cable Drain Trim
- K-T37394 Bath Cable Drain Trim
- K-T37395 Bath Cable Drain Trim
- K-T37396 Bath Cable Drain Trim
- K-T37397 Cable Bath Drain Trim



### Codes/Standards

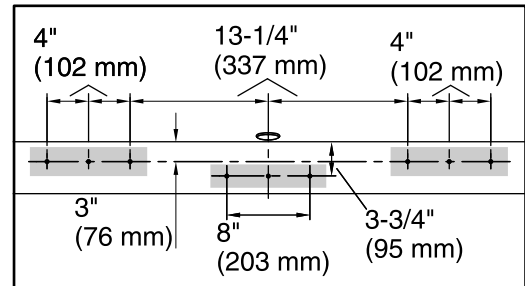
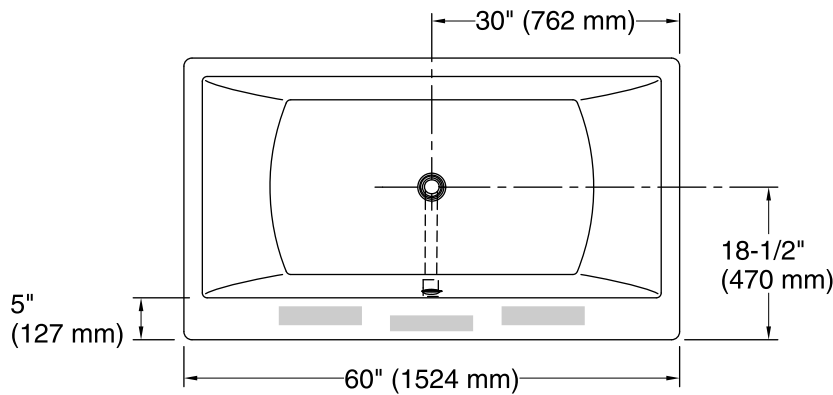
- CSA B45.5/IAPMO Z124
- ASTM E162
- ASTM E662

### KOHLER® One-Year Limited Warranty

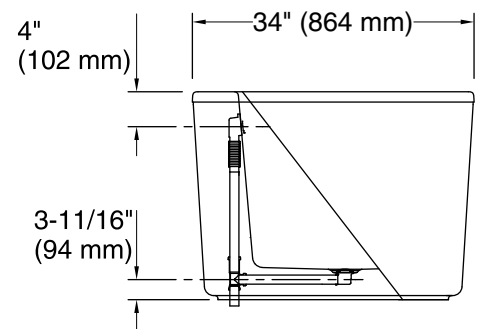
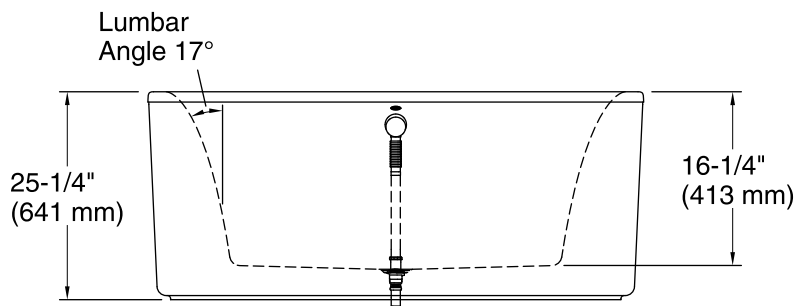
See website for detailed warranty information.

No change in measurements if connected with drain illustrated. (K-7265)

█ Faucet area.



**Faucet Hole Locations  
(For KOHLER® Brand Only)**



### Technical Information

All product dimensions are nominal.

Installation:	Freestanding
Drain location:	Center
Basin area, bottom:	40-5/16" x 22-1/2" (1024 mm x 572 mm)
Basin area, top:	49-3/8" x 25-7/8" (1254 mm x 657 mm)
Weight:	156 lbs (70.8 kg)
Minimum floor load:	54 lbs/ft <sup>2</sup> (263.7 kg/m <sup>2</sup> )
Water depth:	18" (457 mm)
Water capacity:	60 gal (227.1 L)

### Notes

Measure your actual product for rough-in details.

Install this product according to the installation instructions.

The hot water supply should be 70% of the capacity of the bath or greater. Installations will vary.