

### Features

- 11 effervescence ports deliver gentle, caressing bubbles.
- Variable-speed pump.
- Built-in heater.
- Remote control.
- Overflow channel for deep soak and unique infinity pool effect.

### Material

- Acrylic

### Hydrotherapy

- Effervescence

### Installation

- Drop-in or under-mount.

### Additional Hydrotherapy Options

- Effervescence - K-1188-RE
- Effervescence + chromatherapy - K-1188-C1

### Required Products/Accessories

K-7193 Bath Drain

### Recommended Products/Accessories

K-1601 Bath/Whirlpool Footstop  
K-923 Wall- Or -Ceiling-Mount Bath Filler  
K-18486-4 Roman Bath Filler



### Codes/Standards

ASME A112.19.7/CSA B45.10  
CSA B45.5/IAPMO Z124  
ASTM E162  
ASTM E662  
UL 1795  
CSA C22.2 No. 218.2



**KOHLER® Plastic Baths and Receptors  
Lifetime Limited Warranty  
KOHLER® Hydrotherapy Components  
Five-Year Limited Warranty**

See website for detailed warranty information.

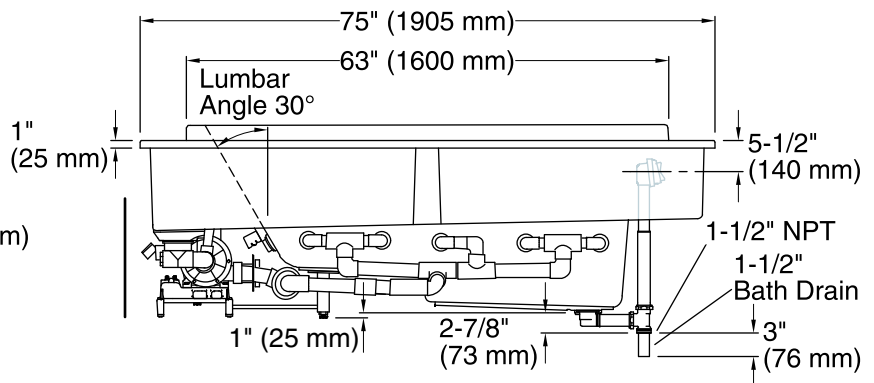
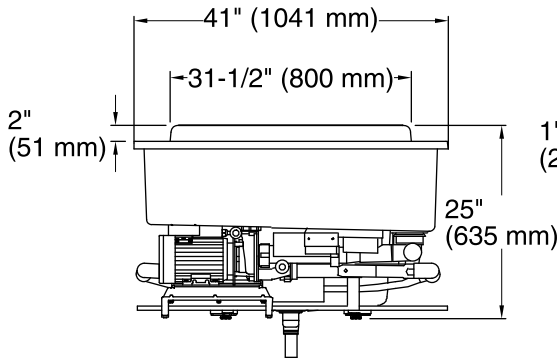
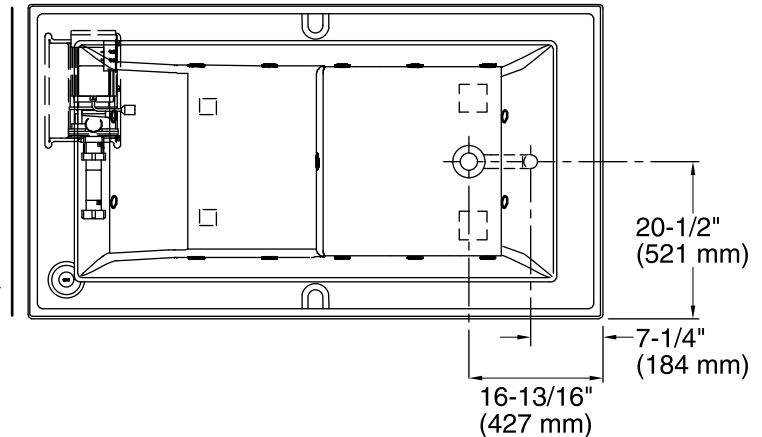
### Available Colors/Finishes

*Color tiles intended for reference only.*

Color	Code	Description
-------	------	-------------

	0	White
	96	Biscuit

No change in measurements if connected with drain illustrated. (K-7193)



### Required Electrical Service

Two dedicated circuits required, protected with Class A Ground-Fault Circuit-Interrupter (GFCI). Outside North America, this device may be known as a Residual Current Device (RCD).

Pump: 240 V, 20 A, 50/60 Hz  
 Heater: 240 V, 20 A, 50/60 Hz

### Technical Information

All product dimensions are nominal.

Installation: Drop-in  
 Drain location: Right  
 Basin area, bottom: 45" x 25-1/2" (1143 mm x 648 mm)  
 Basin area, top: 61-1/2" x 30-1/4" (1562 mm x 768 mm)  
 Weight: 275 lbs (124.7 kg)  
 Minimum floor load: 65 lbs/ft<sup>2</sup> (317.4 kg/m<sup>2</sup>)  
 Water depth: 23-1/2" (597 mm)  
 Water capacity: 142 gal (537.5 L)  
 Cutout: Drop-in, 73-1/2" x 39-1/2" (1867 mm x 1003 mm)  
 Electrical component rating: Pump: 240 V, 17 A, 50/60 Hz  
 Heater: 240 V, 17 A, 50/60 Hz, 4000 W  
 Pump speed: Variable

### Notes

Measure your actual product for rough-in details. Install this product according to the installation instructions.

The hot water supply should be 70% of the capacity of the bath or greater. Installations will vary.

Consult local and national codes for minimum air gap requirements when installing a spout on the faucet deck.

Unit must be filled through the bathing well.