

Features

- Matching two-function sidespray with Sweep® spray and BerrySoft® spray provides convenience for cleaning and food prep.
- Sweep® spray is a wide, powerful blade of water that sweeps your dishes and sink clean.
- BerrySoft® is a light spray ideal for washing hands, rinsing delicate dishware and prepping fruits and vegetables.
- 8-15/16 (227 mm) spout reach.
- ProMotion® technology allows the pull-out sidespray to swivel for more comfortable use.
- High-arch 360° rotating swing spout offers vertical clearance for tall cookware and pitchers.
- 1.5 gpm (5.7 l/min) maximum flow rate at 60 psi (4.14 bar).
- Single lever handle makes adjusting water temperature easy with one hand.
- Temperature memory allows faucet to be turned on and off at the temperature set during prior usage.
- MasterClean™ sprayface withstands mineral buildup to wipe clean easily.
- KOHLER® ceramic disc valves exceed industry longevity standards, ensuring durable performance for life.

Material

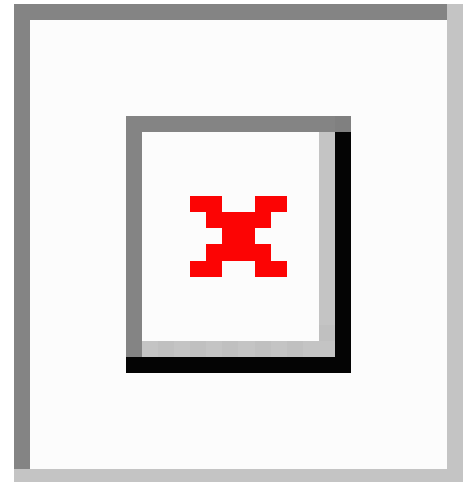
- Premium metal construction.
- KOHLER finishes resist corrosion and tarnishing.

Installation

- Deck-mount.
- Two-hole or four-hole (3-hole escutcheon available for four-hole applications; K-22071, sold separately).
- Flexible supply lines simplify installation.

Optional Products/Accessories

K-22071 Three-hole kitchen faucet escutcheon



ADA

CSA B651

Codes/Standards

ASME A112.18.1/CSA B125.1

NSF/ANSI 61

NSF/ANSI 372

All applicable US Federal and State material regulations

DOE - Energy Policy Act 1992

California Energy Commission (CEC)

ADA

ICC/ANSI A117.1

CSA B651

KOHLER® Faucet Lifetime Limited Warranty

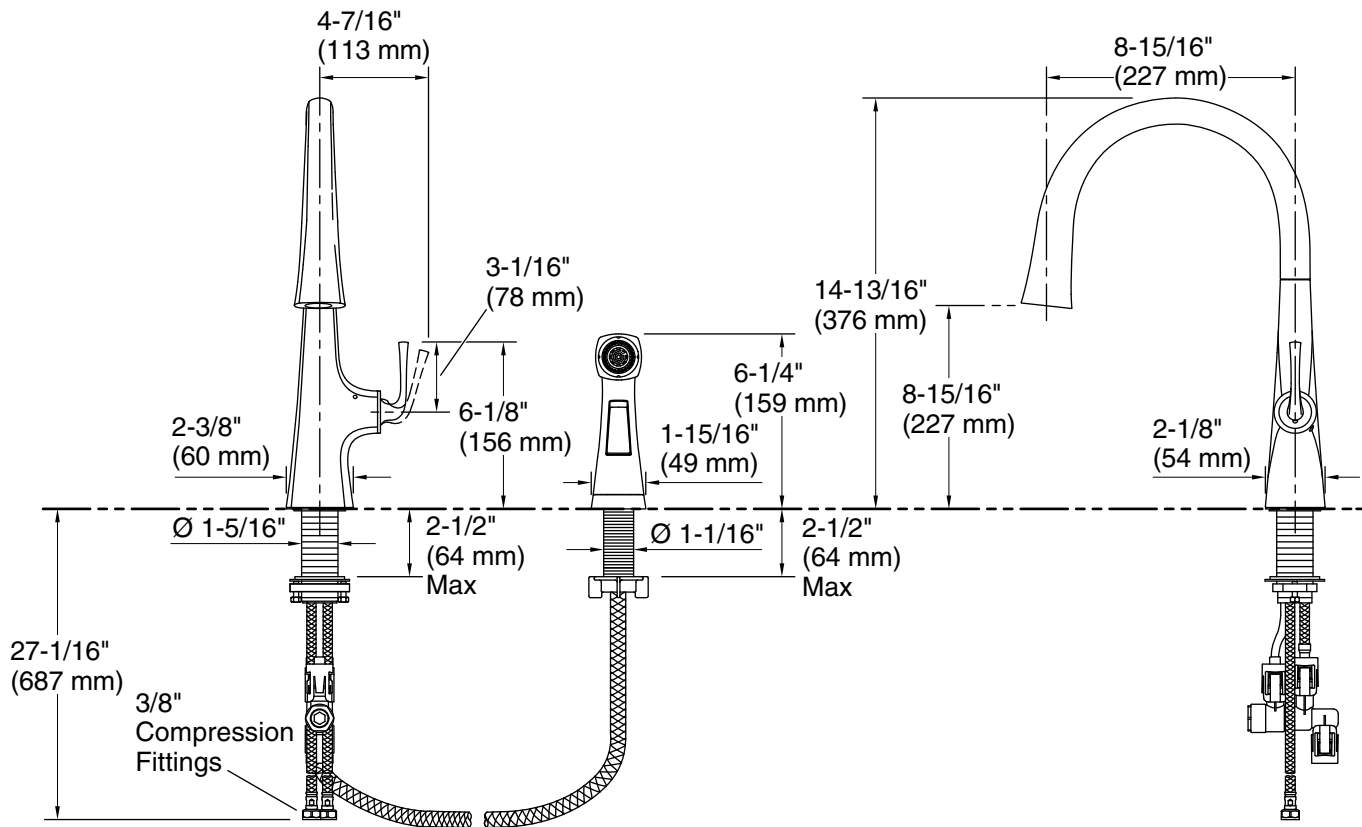
See website for detailed warranty information.

Available Colors/Finishes

Color tiles intended for reference only.

Color Code Description

	CP	Polished Chrome
	VS	Vibrant® Stainless
	BL	Matte Black



Technical Information

All product dimensions are nominal.

Faucet:

Flow rate: 1.5 gal/min (5.7 l/min)

Pressure: 60 psi (4.1 bar)

Sidespray:

Flow rate: 2.2 gal/min (8.3 l/min)

Pressure: 60 psi (4.1 bar)

Valve body: Plastic

Drain included: No

Spout:

Spout reach: 8-15/16" (227 mm)

Notes

Install this product according to the installation instructions.

ADA, CSA B651 compliant when installed to the specific requirements of these regulations.