

## Features

- 30" (762 mm) minimum base cabinet width.
- Single bowl.
- 12" (305 mm) depth provides generous workspace.
- Offset drain increases workspace in the sink and storage space underneath.
- Accessories stack and slide on ledges for a custom arrangement.
- Wash bin features a deep tub, perfect for washing and soaking household items.
- Stainless steel utility rack fits securely within the wash bin.
- Matte finish offers rich, dimensional color.
- No faucet holes; requires wall- or deck-mount faucet.

## Material

- KOHLER Neoroc® composite is durable and built to withstand day-to-day cleaning tasks.
- Solid color throughout the sink.
- Heat-resistant up to 750°F.
- Scratch-, stain-, chip-, and thermal-shock-resistant.

## Installation

- Undermount.
- Easy to install in a one-person, single-day project.

## Recommended Products/Accessories

- K-8801 Sink drain and strainer with tailpiece
- K-8799 Sink drain and strainer basket
- K-23726 Drain treatment
- K-23725 Cast iron cleaner

## Optional Products/Accessories

- K-11352 Disposal Flange with Stopper
- K-9000 P-Trap

## Included Components

Additional Components:

- 27788
- 27789



## Codes/Standards

CSA B45.5/IAPMO Z124

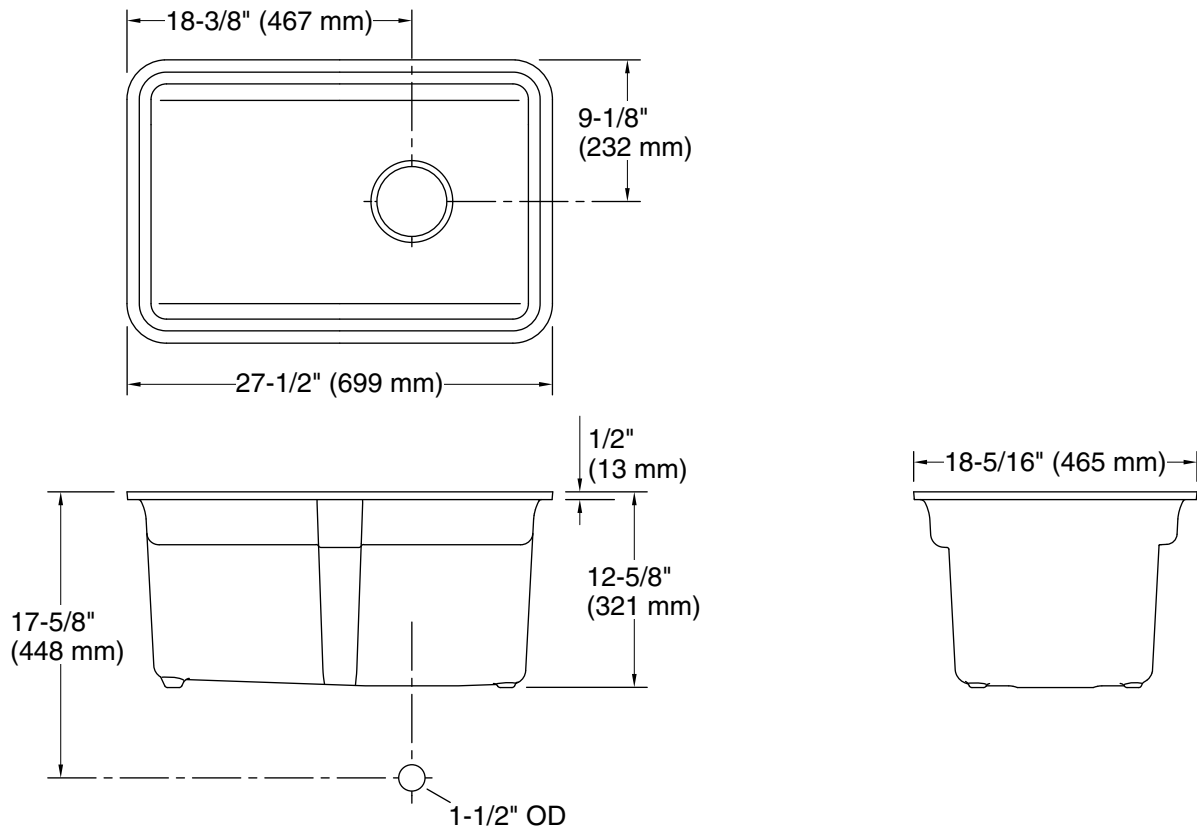
## KOHLER® Neoroc® Sinks Lifetime Limited Warranty

See website for detailed warranty information.

## Available Colors/Finishes

*Color tiles intended for reference only.*

Color	Code	Description
	CM6	
	CM7	
	CM2	
	CM3	
	CM1	
	CM4	



## Technical Information

All product dimensions are nominal.

Bowl configuration:	Single
Installation:	Undermount
Min. base cabinet width:	30" (762 mm)
Bowl area (Only):	Length: 24-3/8" (620 mm) Width: 15-3/8" (391 mm) Bowl depth: 12" (305 mm) Water depth: 12" (305 mm)
With overflow:	No
Drain hole:	3-7/8" (98 mm)
Template:	Undermount, 1311528-7, required, included

## Notes

Install this product according to the installation instructions.

**NOTICE:** Countertop manufacturer or cutter must use the cut-out template provided with the product, or a current one provided by Kohler Co. (call 1-800-4-KOHLER). Kohler Co. is not responsible for cutout errors when the incorrect cut-out template is used.