

Features

- Project Pack: Supplied 12 per case.
- Includes valve body, rough-in guide, and test cap.
- ½" PEX Expansion (F1960 style) inlets.
- 1/2" Universal NPT & direct sweat outlets.
- Requires valve cartridge and trim to complete installation (sold separately).

Material

- Forged dezincification-resistant brass body provides long term reliability and resistance to aggressive water conditions.

Installation

- Designed for use in standard, back-to-back and thin wall installations.
- Valve body features integral mounting locations and symmetrical valve inlets to simplify installation.
- Rough-in guide designed for both standard and thin wall installations.
- Installed valve rough-in can be flushed and pressure-tested to 150 psi max (air or water) without cartridge using K-10351 test cap (included).

Required Products/Accessories

K-8305 Pressure Balance Cartridge

or

K-P8305 Pressure Balance Cartridge

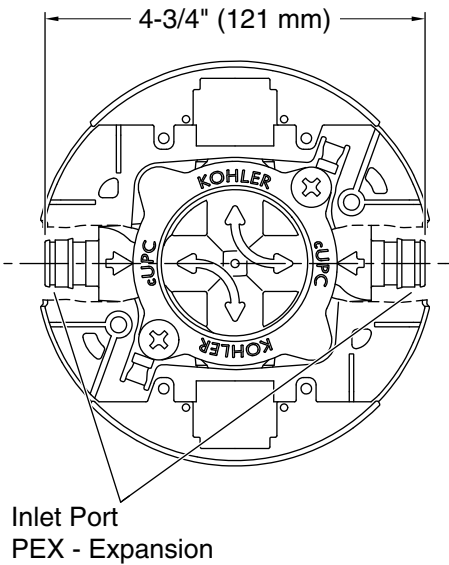
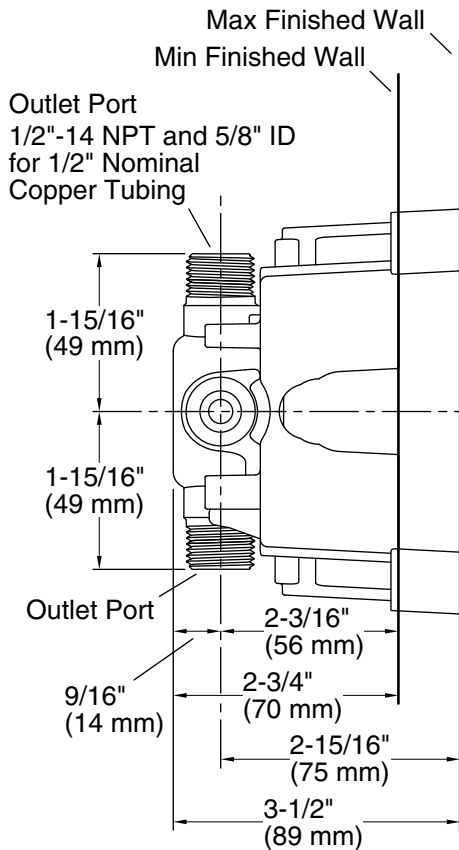


Codes/Standards

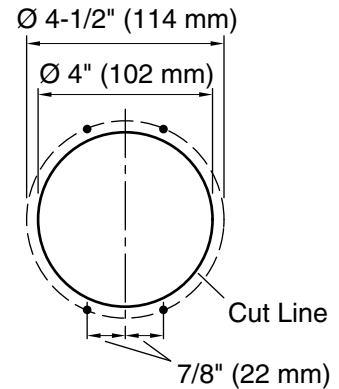
ASME A112.18.1/CSA B125.1

KOHLER® Faucet Lifetime Limited Warranty

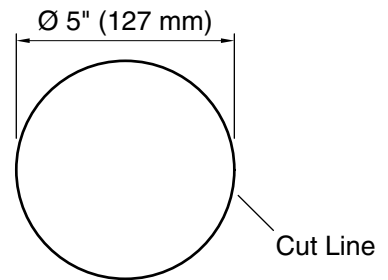
See website for detailed warranty information.



Cutout for finished walls
less than 3/4" (19 mm)



Cutout for finished walls
greater than 3/4" (19 mm)



Technical Information

All product dimensions are nominal.

Valve body: Machined-brass

Notes

Install this product according to the installation guide.

Avoid cross-flow conditions. Do not install shut-off device on either valve outlet.

Cap the shower outlet if deck-mount spout, diverter, or handshower is connected to the spout outlet.

Install straight pipe or tube drop of 7" (178 mm) to 18" (457 mm) with single elbow between the valve and wall-mount spout.

For finished walls greater than 3/4" (19 mm) and less than 1-1/2" (38 mm), install support(s) 2" (51 mm) from the stud face.

For finished walls greater than 1-1/2" (38 mm), install support(s) 3" (76 mm) from the face of the finished wall.