



# Persuade® Curv Comfort Height®

Dual Flush Toilet

K-6355

## Features

- Two-piece toilet.
- Elongated bowl offers added room and comfort.
- Comfort Height® feature offers chair-height seating that makes sitting down and standing up easier for most adults.
- Top-mount two-button flush offers a choice of 1.0 or 1.6 gallons per flush (gpf).
- Skirted trapway simplifies cleaning.
- Seat not included.
- Combination consists of the K-4326 bowl and the K-3569 tank.
- Coordinates with other products in the Persuade collection.

## Technology

- Dual-flush technology allows you to choose between a full- or partial-flush.

## Installation

- Standard 12-inch rough-in.
- Patented ReadyLock™ installation system is a simple solution for skirted toilets that saves time, hassle, and eliminates the need to drill into the floor for a standard 12-inch rough-in.

## Water Conservation & Rebates

- WaterSense® toilets meet strict EPA flushing guidelines, including using at least 20 percent less water than 1.6-gallon toilets.
- Eligible for consumer rebates in some municipalities.
- This product can help a building earn Water Efficiency points in the LEED® Green Building Rating System.

## Recommended Products/Accessories

K-4636 Cachet® Quiet-Close™ Elongated Toilet Seat  
 K-5588 Purefresh® Elongated Toilet Seat  
 K-186 Dual Flush Actuator  
 1265114 Connector Hose

## Included Components

Product consists of:

K-4326 Skirted Trapway Bowl  
 K-3569 Toilet Tank

Additional Components:

Dual flush push buttons  
 ReadyLock™ installation system  
 Tank accessory pack  
 Tank cover



## Codes/Standards

ASME A112.19.2/CSA B45.1  
 ASME A112.19.14  
 DOE - Energy Policy Act 1992  
 EPA WaterSense®  
 California Energy Commission (CEC)

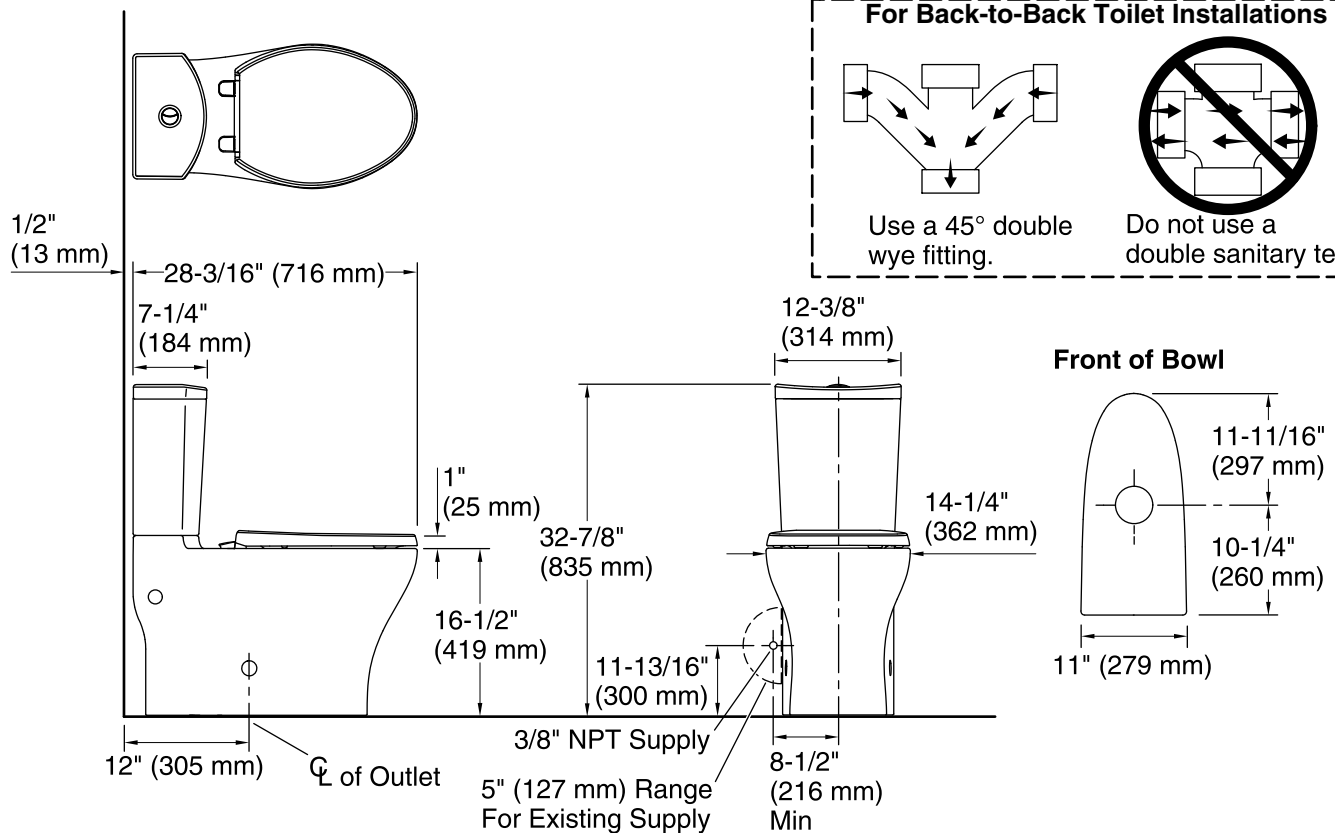
## KOHLER® One-Year Limited Warranty

See website for detailed warranty information.

## Available Colors/Finishes

Color tiles intended for reference only.

Color	Code	Description
	0	White
	96	Biscuit
	47	Almond
	NY	Dune
	95	Ice™ Grey
	7	Black Black™



### Technical Information

All product dimensions are nominal.

Toilet type:	Two-piece, Floor-mount
Waste Outlet:	Floor
Bowl shape:	Elongated
Trap passageway:	2" (51 mm)
Water Consumption	
Full:	1.6 gpf (6 lpf)
Reduced:	1 gpf (3.8 lpf)
Water surface size:	4-1/2" x 5-3/4" (114 mm x 146 mm)
Rim to water surface:	8-1/2" (216 mm)
Rough-in:	12
Seat-mounting holes:	5-1/2" (140 mm)

### Notes

Install this product according to the installation instructions.

The rough-in must be 12" (305 mm) or more from the base of the wall or baseboard. Install or relocate the supply and outlet as necessary to conform to rough-in dimensions.

If this toilet is installed in new construction, install a new supply stop following the dimensions in the diagram.

In installations with the supply stop installed, the existing supply stop may need to be relocated if it is less than 8-1/2" (216 mm) from the centerline of the toilet. Dry fit the toilet to confirm if the supply stop needs to be relocated.

The supplied hose will extend roughly 6" (152 mm) from the toilet. If the supplied hose does not reach the supply stop, a longer supply hose may be used.

For back-to-back toilet installations: Use only a 45° double wye fitting.