

LENOVA®

DESIGN INSPIRED BY FUNCTION

4580 W Roosevelt Rd Hillside, IL 60162 www.Lenovasinks.com Phone: 877-733-1098

SPECIFICATIONS

MODEL SS-ORi-LES32

GENERAL

Fine quality sink formed of heavy duty 16 gauge, type 304 nickel bearing stainless steel.

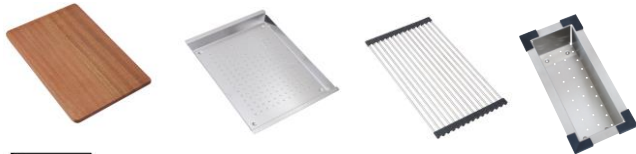
DESIGN FEATURES

Bowl depth 10" with inside bowl dimensions 30"X17", and over all 32"X19".

Finish: Inside bowl surfaces polished to a uniform satin finish.

Underside: High density sound absorption pads covered with a thick rubberized insulation layer on all bottom surfaces.

Other: Standard drain opening 3 ½".

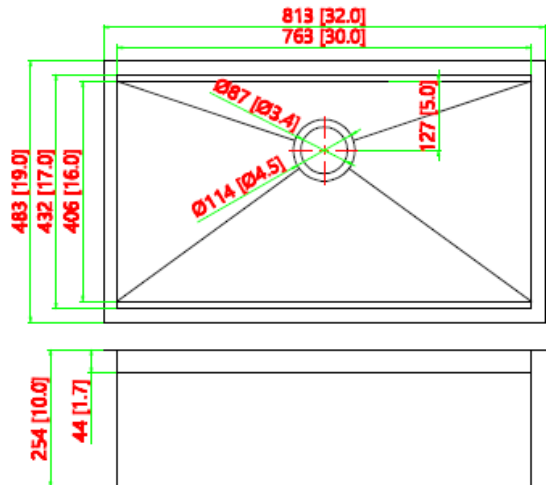


C

CUPC certified

Minimum cabinet size 36"

Product shall be specified as SS-ORi-LES32



OPTIONAL ACCESSORIES:

Sink Drain: A-SS-01, A-SS-02 Stainless Steel Bottom Grid: GLES32

Lower Level Accessories:

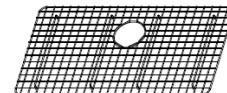
Stainless Steel Colander: SS-AC-LE17

Bamboo Cutting Board: CB-03 Stainless Steel Rolling Grid: SS-AC-GR17

Upper Level Accessories:

Stainless Steel Colander: SS-AC-LE18, A-CLDR18

Bamboo Cutting Board: A-CB18 Stainless Steel Top Rolling Grid: SS-AC-GR18



Warranty:

Limited life time warranty against manufacturer defects and craftsmanship.

Codes/Standards Applicable:

ASME A112.19.3/CSA B45.4

*Template and mounting clips are packed with every sink