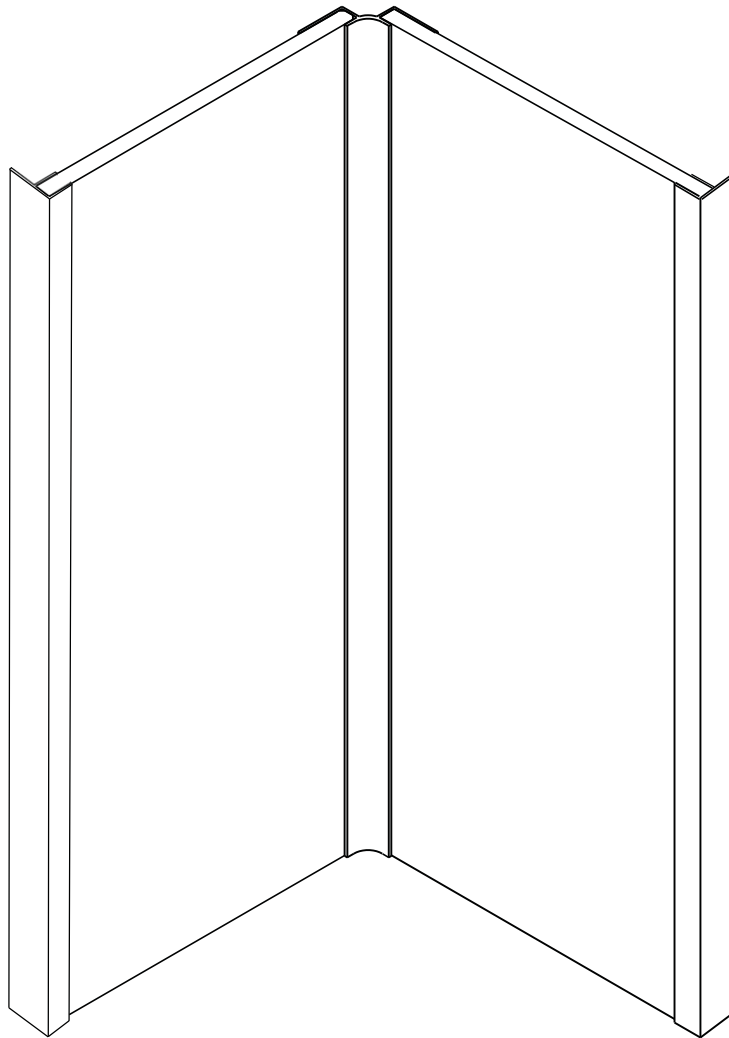


Neo-Angle Shower Wall Kits

READ THE INSTRUCTIONS CAREFULLY

Familiarize yourself with all the parts as shown in the exploded view. The exploded view will also provide a helpful reference when relating to the location of the various parts and how they are mounted.

COPY THE MODEL NUMBER FOR YOUR RECORDS HERE #



*Shown with
Optional Corner and
Edge Trim

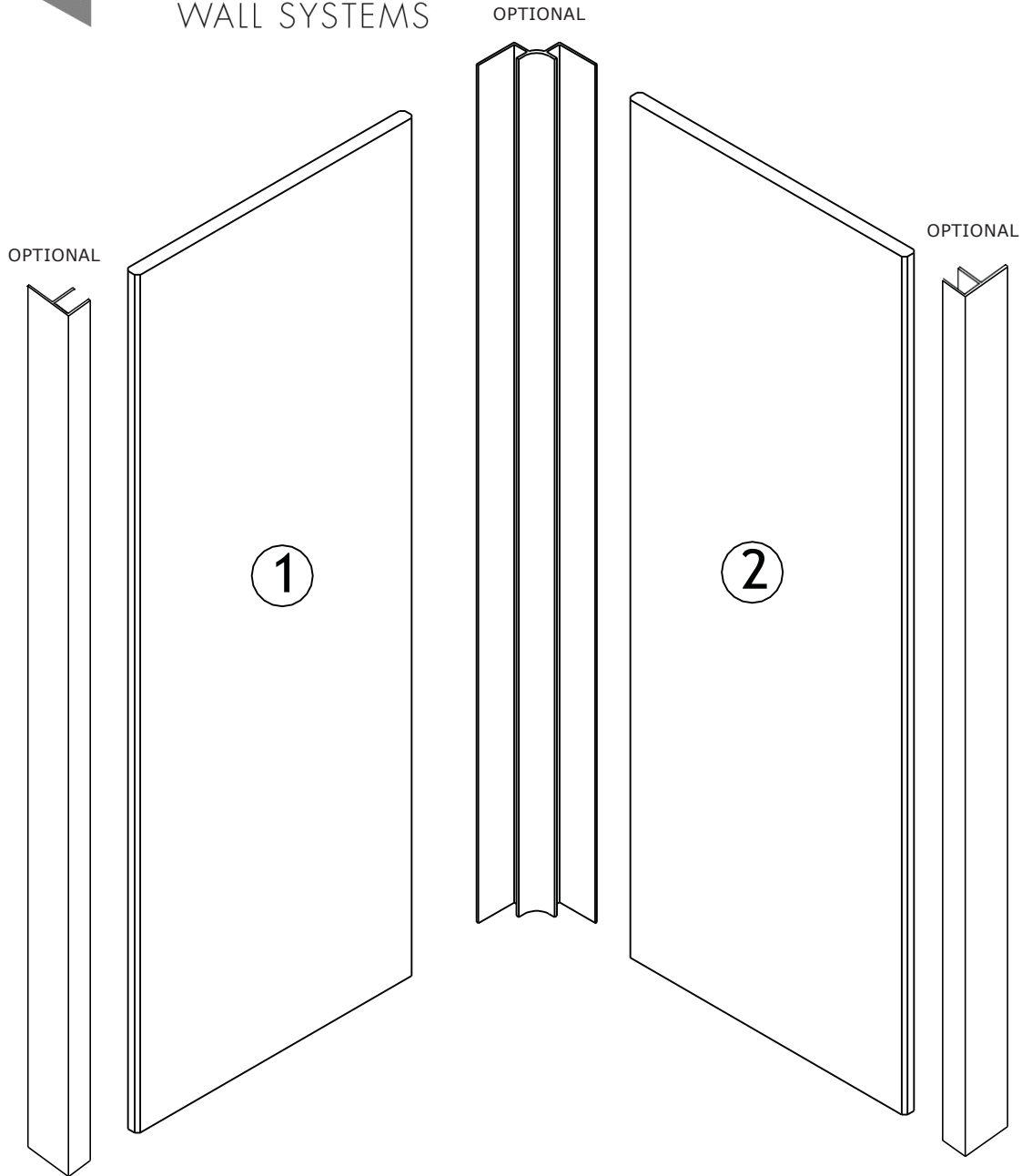
Toll Free Customer Assistance 1-888-620-3667 US Customers

Monday-Friday, 7:30 a.m. To 5:00 p.m. CST

1-888-256-7551 Canada Customers



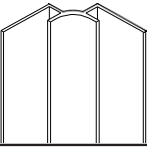
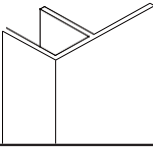
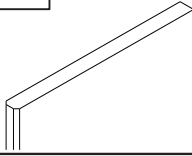
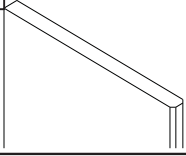
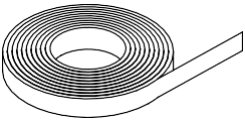
Revised 10/18/2021



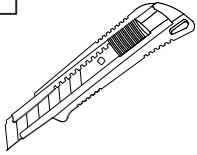
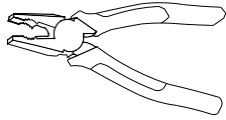
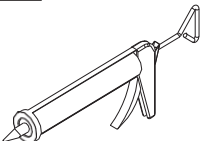
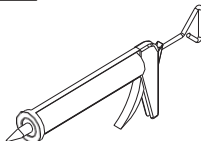
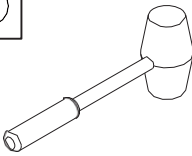
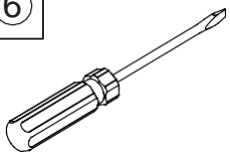
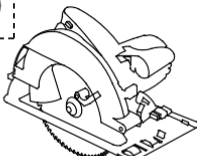
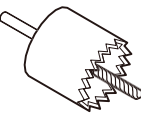
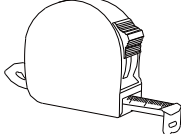
CAUTION: Do not set on corners when handling wall pieces.

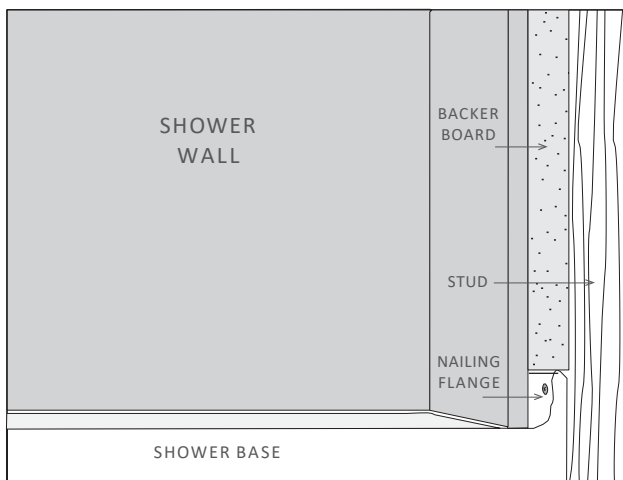
NOTE: Optional Corner and Edge Trim pieces are provided in the kit but are not necessary to complete the application of the Shower Wall System. Read through the instruction manual in its entirety to understand how the wall panels can be installed to fit over your existing walls.

PARTS LIST

				
OPTIONAL Internal Corner Trim	OPTIONAL Edge Trim	Beveled Edge Panel LEFT	Beveled Edge Panel RIGHT	Double-Sided Construction Tape

RECOMMENDED TOOLS

				
Utility Knife	Locking Pliers	Construction Grade Adhesive	Silicone	
				
Rubber Mallet	Flathead Screwdriver	Circular Saw	Hole Saw	Measuring Tape



NOTE: SHOWER BASE INSTALLATION

When used in conjunction with a shower base that has a nailing flange, the Shower Wall System is designed to be installed as shown in the drawing. The nailing flange of the base should be attached directly to the bare studs with backer board attached to the studs above the nailing flange. The Jetcoat® walls are installed on the backer board extending down in front of the nailing flange and resting on the base. Failure to install your base in this configuration may cause problems installing the walls.

PREPARATION TIPS

Before beginning installation of product, make sure all parts are present. Compare parts with package contents list. If any part is missing or damaged, do not attempt to assemble or install the product.

- Begin by measuring the overall width of the back wall after it has been cleaned and prepared for installation.
- If the overall height of the back and/or side walls above the shower base is less than the height of the panels, they can be easily cut to fit.
- Turn off the water supply.
- Remove all shower hardware and decorations, including but not limited to: Faucet handles, escutcheons, filler spouts, towel bars, and soap dishes.
- All plumbing and electrical work inside the walls must be finished prior to installing the wall panels.
- Walls should be solid, plumb, and square within 1/8 inch of true. The Shower Wall System has been designed to allow for trimming, to accommodate minor alignment problems.
- The mounting surface should be cleaned and prepared, according to the Installation Procedure.
- If you plan to install a recessed accessory, cut the panel accordingly after it has been fully installed, and had the proper time to adhere to the wall. Remember to be considerate of wall studs when positioning the accessory.

CAULKING TIPS:

- Follow the instructions on the tube of your chosen caulk.
- Once you have completed the project, inspect all areas that have been caulked, filling in any gaps as needed.
- Remove any excess caulk using denatured alcohol and a clean cloth. Use caution, and do not to disturb any of the caulk joints.

INSTALLATION PROCEDURE:

The Shower Wall System can be installed over a variety of products. Consult with a professional contractor if you intend to apply the panels to any surface other than those described here.

CEMENT/CONCRETE:

- Depending on the condition (flatness) of the existing wall, additional silicone may be required to properly secure the wall panels to the substrate.
- Surface must be completely clean. This includes but not limited to: Soap scum, dust and any other contaminants that may affect adhesion. Ceramic tiles do not need to be removed, if solidly adhered.
- Recommended: The complete area sealed with two coats of water or oil-based sealer, to ensure proper adhesion of the Shower Wall System.
- Complete the installation of the wall panels following the instruction manual, after the sealer has completely dried.

MASONITE:

- Surface must be completely clean. This includes but not limited to: Soap scum, dust and any other contaminants that may affect adhesion.
- Optional: The complete area sealed with two coats of water or oil-based sealer, to ensure proper adhesion of the Shower Wall System.
- Complete the installation of the wall panels following the instruction manual, after the sealer has completely dried.

OLD TILE:

IMPORTANT: All plastic tiles must be removed. Old ceramic tiles do not need to be removed, if solidly adhered.

- Depending on the condition (flatness) of the existing wall, additional silicone may be required to properly secure the wall panels to the substrate.
- Properly remove and or reattach any loose ceramic tiles.
- Remove all tile accessories attached to the wall. Surface must be completely clean. This includes but not limited to soap scum, dust and any other contaminants that may affect adhesion.
- Complete the shower wall installation by following the instruction manual.

PLASTER:

- Additional silicone may be required to properly secure the substrate and the wall panel, depending on the condition of the existing wall.
- Smooth all textured and/or swirled finishes by sanding.
- Surface must be completely clean. This includes but not limited to soap scum, dust and any other contaminants that may affect adhesion.

• Recommended: The complete area sealed with two coats of water or oil-based sealer, to ensure proper adhesion of the Shower Wall System.

- Complete the installation of the wall panels following the instruction manual, after the sealer has completely dried.

SHEETROCK/GREENBOARD/CEMENT BOARD/ WOOD:

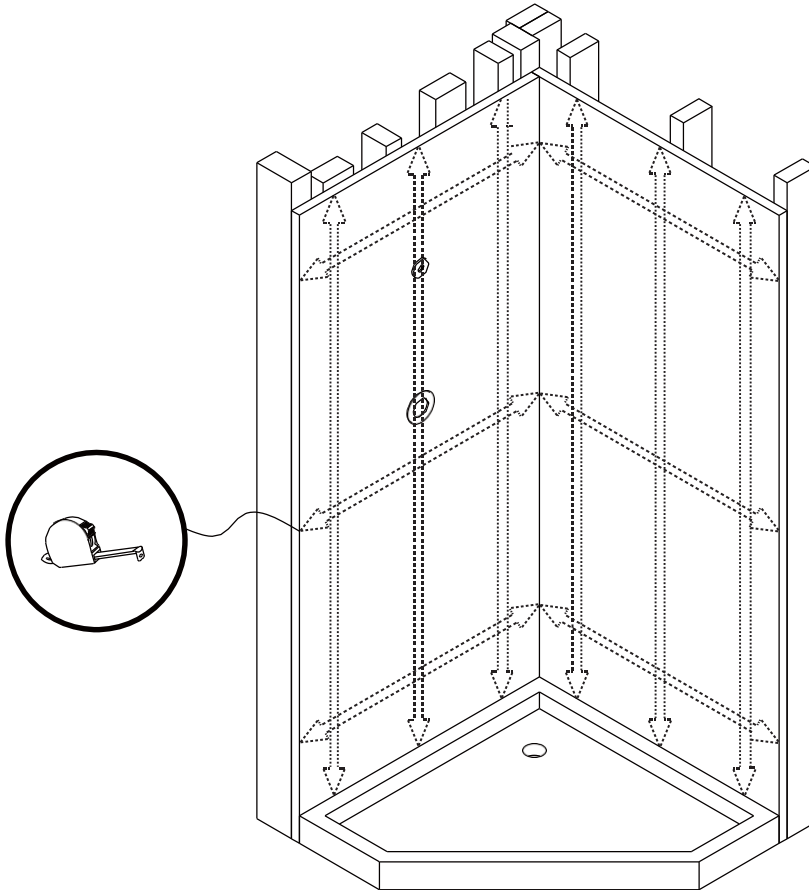
- Surface must be completely clean and free of soap scum, dust, and any other contaminants that may affect adhesion.
- Optional: The complete area sealed with two coats of water or oil-based sealer, to ensure proper adhesion of the Shower Wall System.
- Complete the installation of the wall panels following the instruction manual, after the sealer has completely dried.



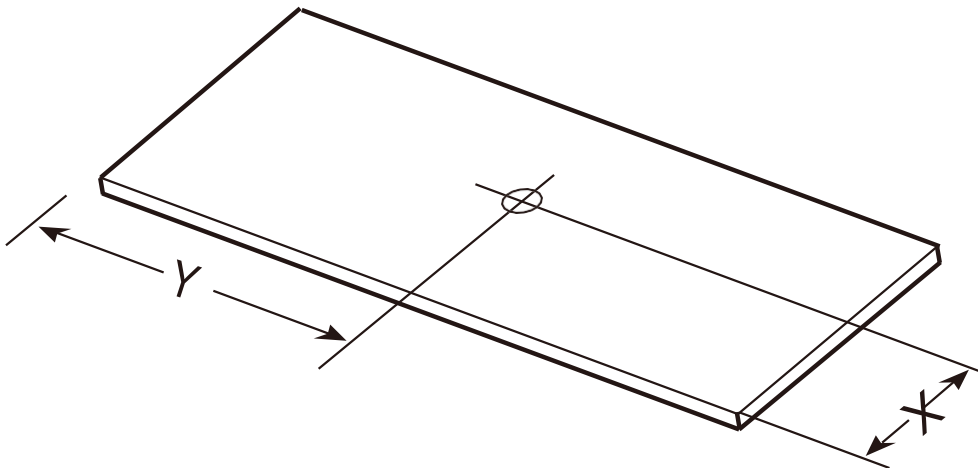
INSTALLATION PROCEDURE / STEP 1

1 MEASURING

1. Measure the height of installation area at both ends of each wall. From top of the shower pan to the ceiling. If the ceiling height is less than the height of the panels included in your kit, the panels can be cut down using the same cutting procedure outlined in Step 2.
2. Measure width of each wall at top and bottom of installation area.



3. Measure cut-out locations for plumbing fixtures and mark them on the back of the appropriate panel(s).

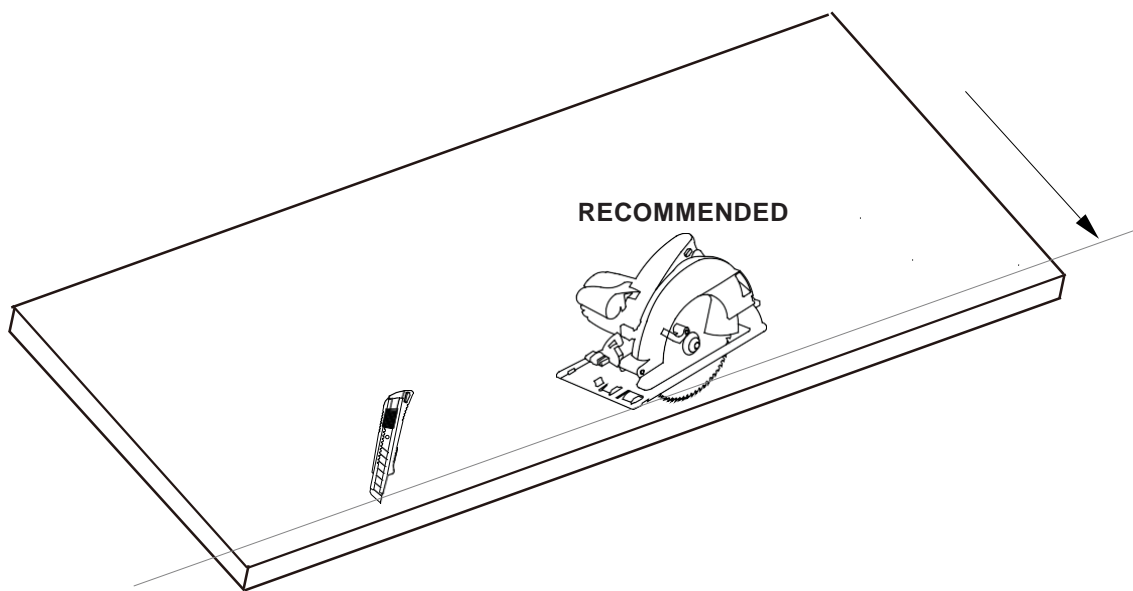


2 CUTTING

Important Note: The arrows on the label on the back of each panel indicate the TOP of the Panel. The following cutting instructions should be used when making all cuts.

Cutting Panels to Size:

1. Carefully draw a line on the back of each panel where the cut is to be made. Any adjustments for out of square or out of plumb should be considered when drawing this line.
Note: Using a straight edge when possible is highly recommended
2. Circular saw is recommended for making required cuts. If using utility knife, score the line several times and then use locking pliers to snap off the excess piece.



Plumbing Cut-Outs:

Use a drill and the appropriate size hole saw to create cut-outs for the shower head, faucet handles and/or any other cutouts necessary for plumbing that is already in the walls.

Note: To be sure your measurements are correct, make a cardboard template to test the plumbing cutouts prior to cutting the JETCOAT® panels.

Important: Drill chuck can damage the Jetcoat® wall panel surface. Drill holes from back side of panel.

Recessed Accessories:

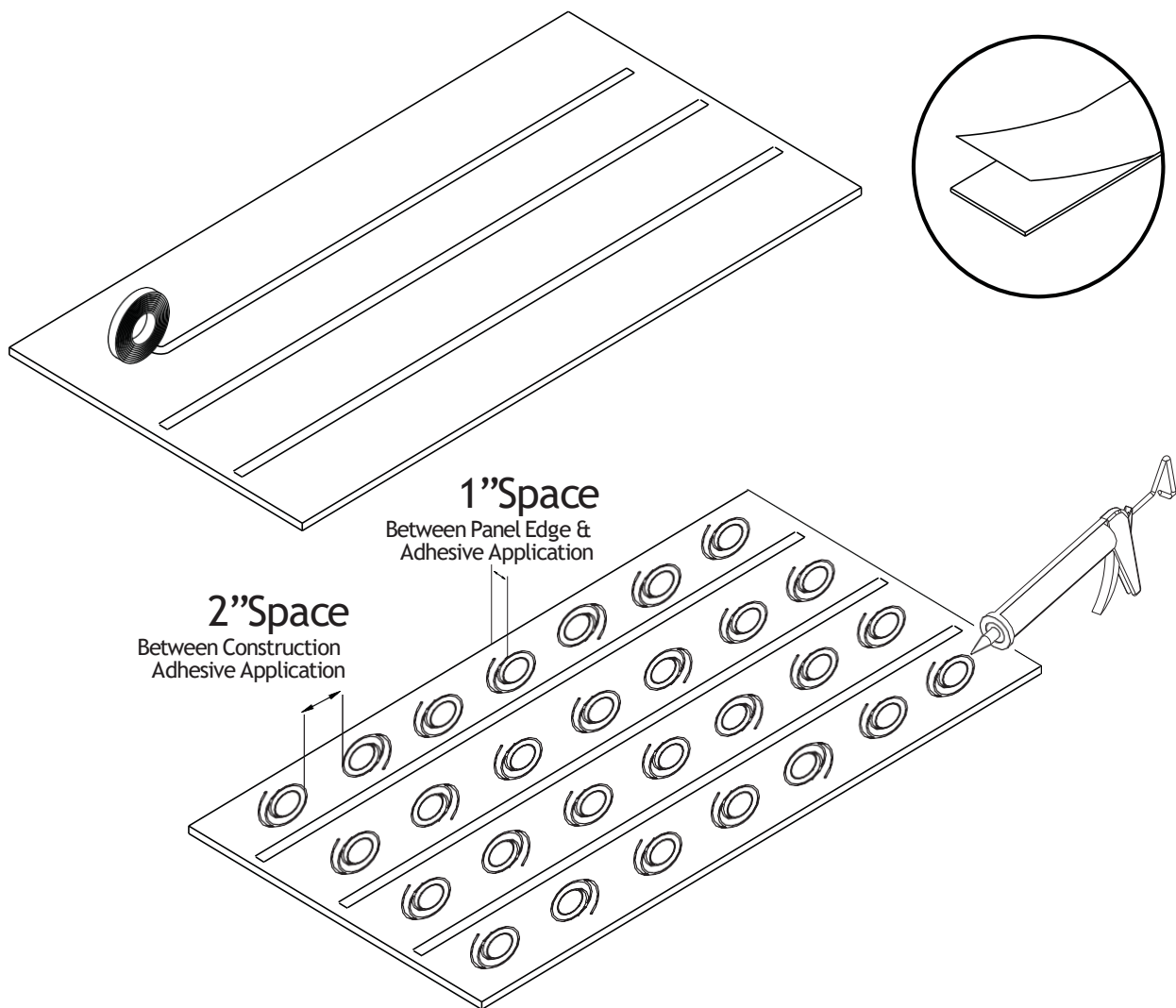
If you plan to install a recessed accessory, cut the panel accordingly after it has been fully installed, and had the proper time to adhere to the wall. Remember to be considerate of wall studs when positioning the accessory.

3 APPLYING ADHESIVE AND TAPE TO BACK SIDE OF WALL PANELS

The following instructions should be used when applying tape and adhesive to each wall panel.

1. Apply double-sided construction tape to the back of the wall panel as shown.
2. Apply construction grade adhesive to the spaces between the tape as shown in a circular panel. The beads of adhesive should be 2" apart and up to, but no closer than 1" from the panel edge.

Important: The circular pattern is critical for proper adhesion.



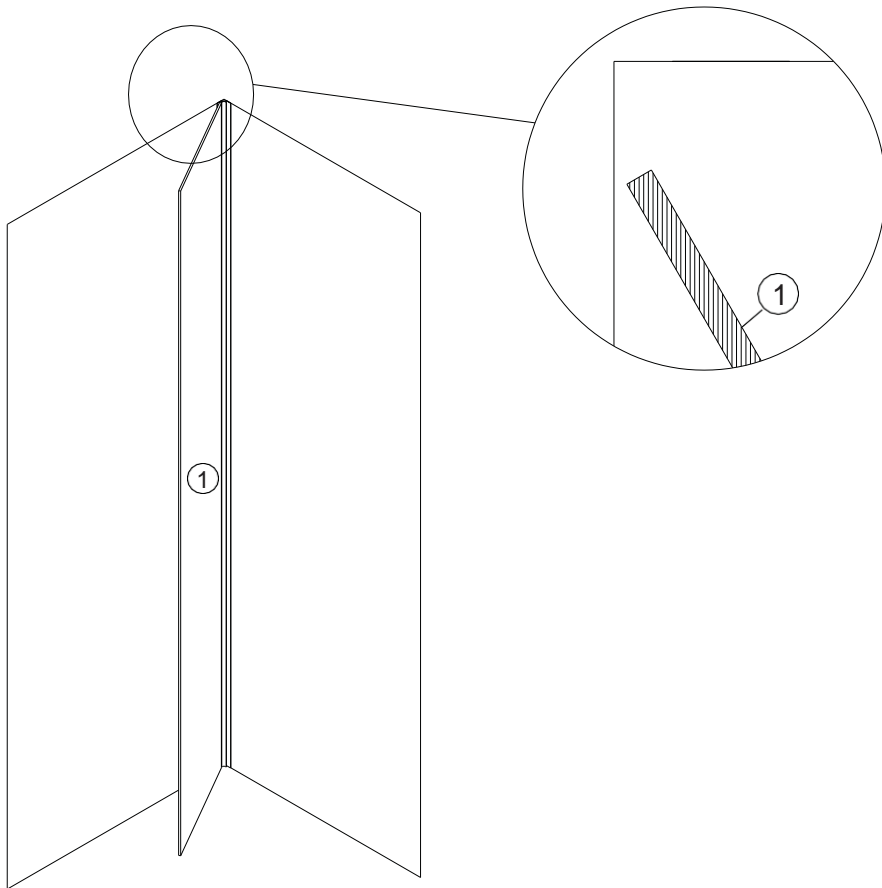
4 INSTALL LEFT SIDE WALL PANEL

Important Note: The arrows on the label on the back of each panel indicate the TOP of the Panel.

1. Locate the *Left Panel (1)* and lay it down on a flat surface.
2. Based on your measurements from Step 1 (Measuring) cut the panel to the appropriate size and make any required plumbing cut-outs according to the instructions in Step 2 (Cutting).

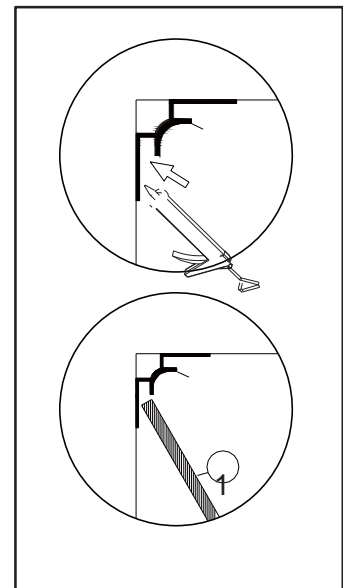
IMPORTANT: If you are using the optional corner trim or not, be sure to measure and cut appropriately for the existing space needed to complete your corner.

3. Apply the double-sided tape and construction adhesive as explained in Step 3.
4. Peel of back of double-sided tape from the back of the beveled edge wall panel.
5. Position the panel at approximately 30 degrees, push the panel edge into the corner and then carefully push the panel back towards the wall.



5. OPTIONAL CORNER TRIM

Fill the channel of the corner piece that the panel will fit into with caulk. Position the panel at approximately 30 degrees, push the panel edge into the channel and then carefully push the panel back towards the wall.



6. Press against the wall smoothing out any air bubbles along the entire area and then lightly tap on wall panel with a rubber mallet from top to bottom to ensure it is tightly connected to the wall.

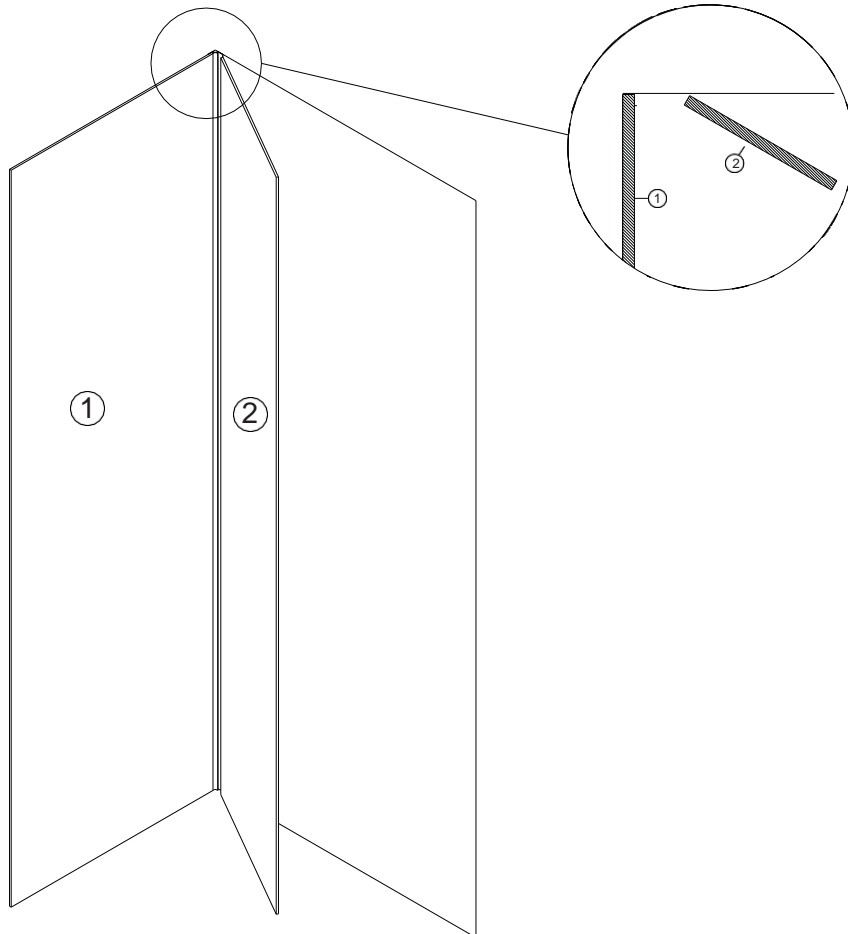
5 INSTALL RIGHT SIDE WALL PANEL

Important Note: The arrows on the label on the back of each panel indicate the TOP of the Panel.

1. Locate the *Right Panel (2)* and lay it down on a flat surface.
2. Based on your measurements from Step 1 (Measuring) cut the panel to the appropriate size and make any required plumbing cut-outs according to the instructions in Step 2 (Cutting).

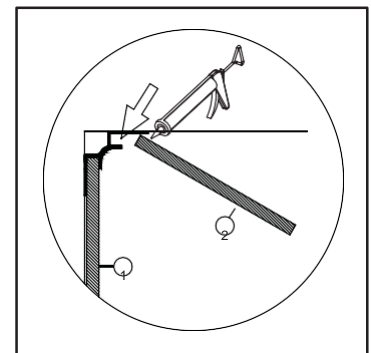
IMPORTANT: If you are using the optional corner trim or not, be sure to measure and cut appropriately for the existing space needed to complete your corner.

3. Apply the double-sided tape and construction adhesive as explained in Step 3.
4. Peel off back of double-sided tape from the back of the beveled edge wall panel.
5. Position the panel at approximately 30 degrees, push the panel edge into the corner and then carefully push the panel back towards the wall.



5. OPTIONAL CORNER TRIM

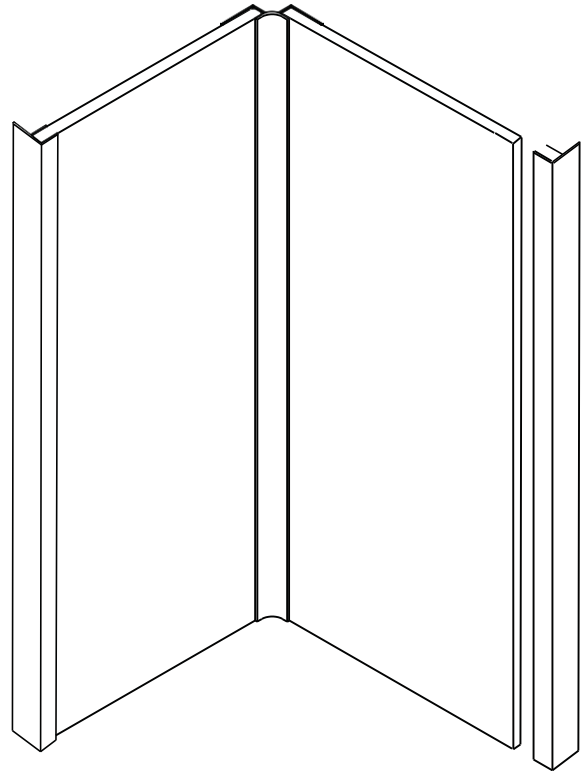
Fill the channel of the corner piece that the panel will fit into with caulk. Position the panel at approximately 30 degrees, push the panel edge into the channel and then carefully push the panel back towards the wall.



6. Press against the wall smoothing out any air bubbles along the entire area and then lightly tap on wall panel with a rubber mallet from top to bottom to ensure it is tightly connected to the wall.

6 OPTIONAL: INSTALL EDGE TRIM

1. Measure and cut Edge Trim length and to cover tile or existing wall material as needed.
2. Fill the channel that the wall panel will slide into with caulk and apply construction grade adhesive to the back of the Edge Trim piece. Carefully position the Edge Trim and push it into place.

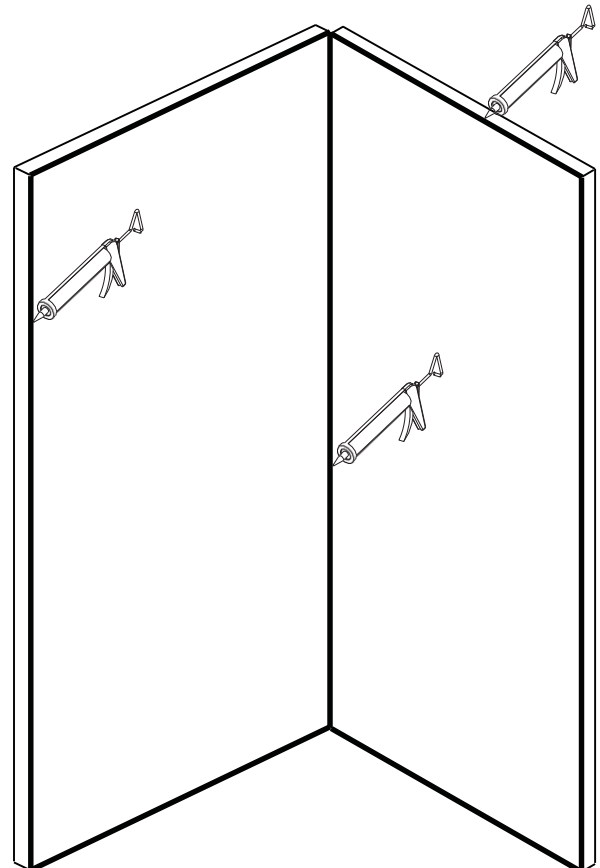


7 CAULK CORNERS AND EDGES

Properly caulk around the Jetcoat® Shower Wall System to insure a secure fit and finish. This includes but is not limited to:

- Interior corner where shower walls meet (Not necessary if optional corner pieces were used).
- Corners where the walls meet the base.
- Outer edge of Side Wall Panels (Not necessary if optional edge pieces were used).
- (Optional) Caulking along the top edge of the entire enclosure is not required but may help contribute to a finished look.

Important Note: Please keep the entire area dry for a minimum of 24 hours to allow the caulk and construction adhesive to properly cure.





Neo-Angle Shower Wall Kits

Warranty

The distributor warrants to the original purchaser that this fixture will be free of manufacturing defects, which affect its performance as a bathing or showering fixture, under the following conditions and subject to the limitations contained in the “Remedies” and “Warranty Limitations” sections. The Limited Warranty applies for 10 years from the date of purchase if the fixture is used in a residential owner-occupied building for non-commercial purposes or for 2 years from the date of purchase if it is used in any other building, including any building used for rental, commercial or business purposes. This Limited Warranty is void if the fixture is not installed in accordance with the installation instructions supplied by the distributor, or local building codes and ordinances, or if the care and cleaning instructions supplied by the distributor are not followed. This Limited Warranty is also void if the fixture is moved from the location of its initial installation or is subjected to accident, abuse, or misuse. The Limited Warranty excludes normal wear and tear. This Limited Warranty shall be void unless any failure or non-conformance is discovered before the expiration of this warranty, and is reported to the distributor, in writing, accompanied by the original proof of purchase, within 30 days of discovery. **REMEDIES** - The original purchaser’s remedy under this Limited Warranty is limited to the repair, replacement or refund of the purchase price of the fixture, at the distributor’s sole option, of any part of the fixture that has failed or does not conform to the manufacturer’s specifications, limited to, damage to or loss of use of the building or its contents, arising out of any defect in the fixture nor shall the distributor be liable for any amount in excess of the original purchase price of the fixture. The distributor reserves the right to require the return, at purchaser’s expense, of the damaged fixture for repair or exchange before providing services under this Limited Warranty. If the distributor elects to replace the fixture, its obligation is limited to supplying a replacement unit or component part of comparable size and style, and does not include the cost of removal, installation or transportation, which must be borne by the purchaser. Replacement parts provided under this Limited Warranty are warranted for the remainder of the original warranty period applicable to the fixture, as if such parts were original components of that fixture. **WARRANTY LIMITATIONS** - THERE ARE NO WARRANTIES THAT EXTEND BEYOND THE DESCRIPTION ON THE FACE HERE OF IMPLIED WARRANTIES, INCLUDING THOSE OF MERCHANTABILITY OR FITNESS FOR A PARTICULAR PURPOSE, ARE EXPRESSLY DISCLAIMED. THE DISTRIBUTOR DISCLAIMS ANY AND ALL LIABILITY FOR SPECIAL, INCIDENTAL OR CONSEQUENTIAL DAMAGES. Some states do not allow limitations of incidental or consequential damages, so the above limitations and exclusions may not apply to you. In such states, the distributors’ liability shall be limited to the extent permitted by state law. ANY IMPLIED WARRANTIES ARISING BY WAY OF STATE LAW, INCLUDING ANY IMPLIED WARRANTY OF MERCHANTABILITY OR ANY IMPLIED WARRANTY OF FITNESS FOR A PARTICULAR PURPOSE, ARE LIMITED IN DURATION AND IN SCOPE OF COVERAGE TO THE TERMS OF THIS LIMITED WARRANTY, UNLESS A SHORTER PERIOD IS ALLOWED BY LAW.



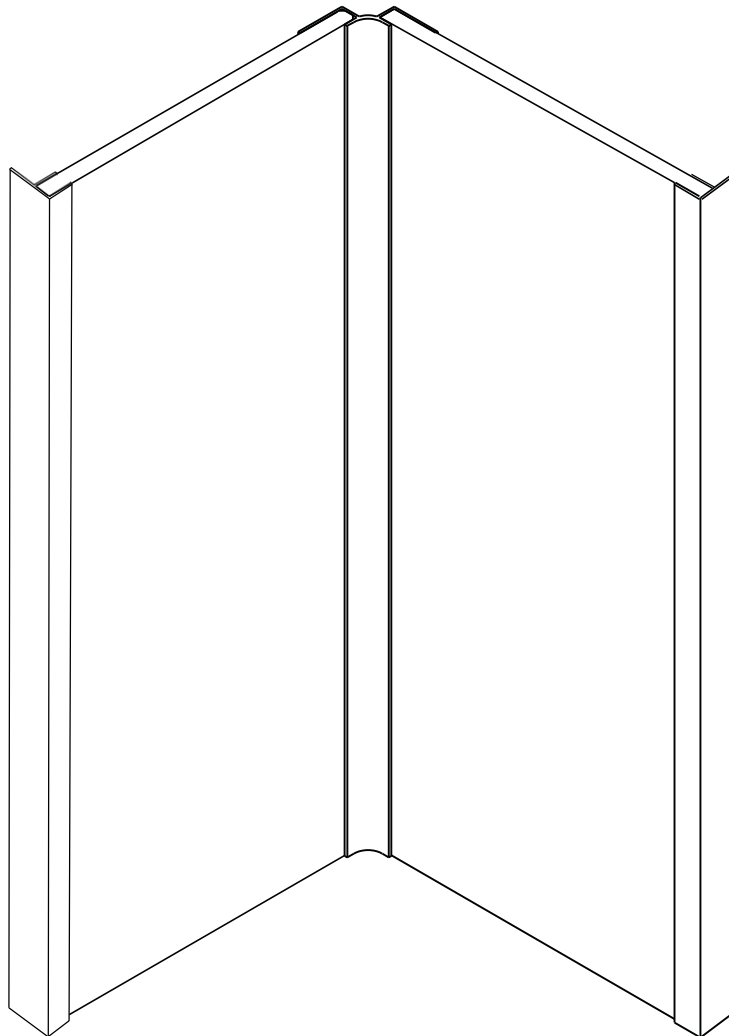


Kits de Mur de Douche Néo-Angle

LISEZ LES INSTRUCTIONS ATTENTIVEMENT

Familiarisez-vous avec toutes les pièces illustrées dans la vue éclatée. La vue éclatée servira également de référence utile pour l'emplacement des différentes pièces et la façon dont elles sont installées.

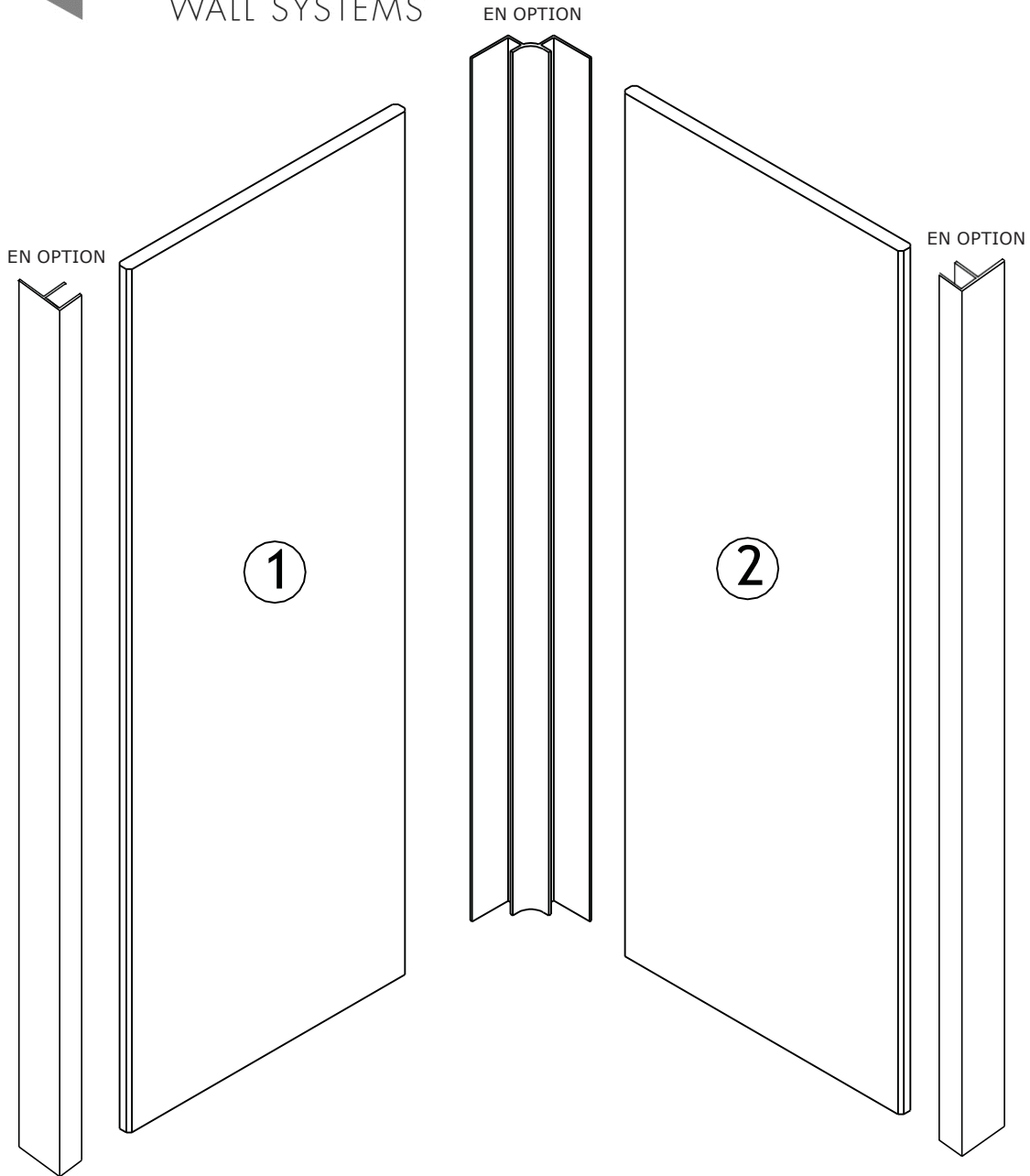
COPIEZ LE NUMÉRO DE MODÈLE ICI POUR VOS DOSSIERS



*Illustré avec
Garniture de coin
et de rebord en option

Ligne d'assistance à la clientèle sans frais 1 888 620-3667 pour les clients des États-Unis
Du lundi au vendredi entre 7h30 et 17h00, HNC **1 888 256-7551** pour les clients du Canada

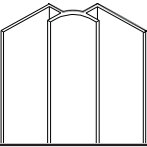
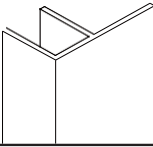
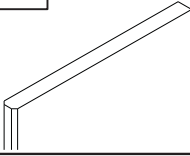
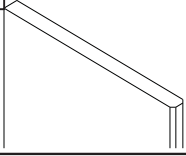
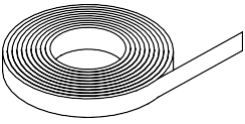




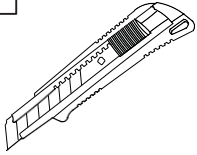
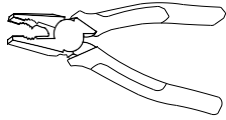
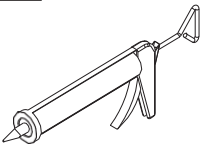
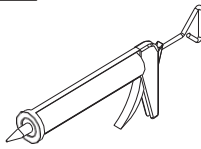
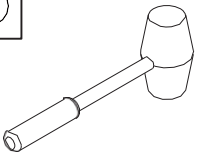
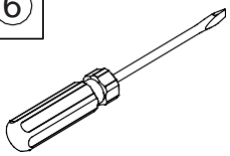
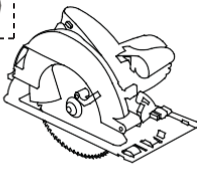
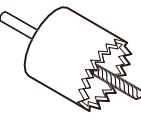
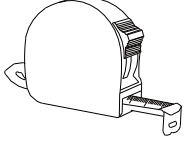
ATTENTION : Ne posez pas sur les coins lorsque vous manipulez les pièces murales.

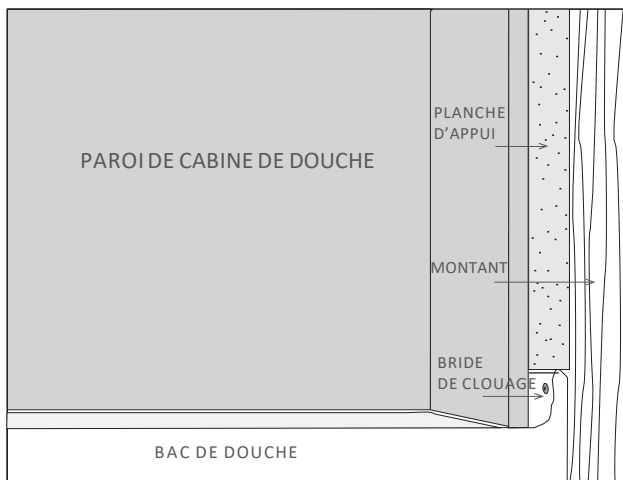
REMARQUE : Les pièces de garniture de coin et de garniture de rebord en option sont fournies avec le prêt-à-monter mais ne sont pas nécessaires pour terminer l'installation de la cabine de douche. Lisez le guide d'instructions complètement pour comprendre la façon dont les panneaux muraux peuvent être installés pour bien s'ajuster par-dessus vos murs existants.

LISTE DES PIÈCES

		1 	2 	3 
EN OPTION Garniture de coin intérieur	EN OPTION Garniture de rebord	Panneau GAUCHE à rebords biseautés	Panneau DROIT à rebords biseautés	Ruban double face de construction

OUTILS RECOMMANDÉS

1 	2 	3 	4 	
Couteau universel	Pince-étau	Adhésif de qualité construction	Silicone	
5 	6 	7 	8 	9 
Maillet en caoutchouc	Tournevis à tête plate	Scie circulaire	Scie-cloche	Ruban à mesurer



REMARQUE : INSTALLATION DU BAC DE DOUCHE

Lors d'une utilisation de concert avec un bac de douche doté d'une bride de clouage, la cabine de douche est conçue pour être installée comme indiqué dans l'illustration. La bride de clouage du bac doit être fixée directement sur les montants nus, avec une planche d'appui fixée aux montants au-dessus de la bride de clouage. Les parois Jetcoat® sont installées sur la planche d'appui, s'étendant sur l'avant de la bride de clouage et en reposant sur le bac. Ne pas installer le bac de cette façon peut causer des problèmes lors l'installation des parois.

CONSEILS PRATIQUES DE PRÉPARATION

Avant de procéder à l'installation du produit, assurez-vous qu'il ne manque aucune pièce. Vérifiez que toutes les pièces de la liste du contenu de l'emballage sont bien présentes. Si l'une des pièces est manquante ou endommagée, ne tentez pas d'assembler ou d'installer le produit.

- Commencez par mesurer la largeur totale du mur arrière, une fois qu'il est nettoyé et préparé pour l'installation.

- Si la hauteur totale des murs arrière et/ou latéraux au-dessus de la baignoire ou du bac de douche est inférieure à celle des panneaux, ceux-ci peuvent être facilement coupés à la bonne hauteur.

- Coupez l'alimentation en eau.

- Retirez toute la quincaillerie et les décorations de la douche, y compris mais non limitées aux : Manettes de robinet, rosaces, becs de remplissage, porte-serviettes et porte-savon.

- Tous les travaux de plomberie et électriques réalisés à l'intérieur des murs doivent être terminés avant l'installation des panneaux muraux.

- Les murs doivent être solides, aplombés et d'équerre à 3,17 mm près. La cabine de douche a été conçue pour pouvoir être recoupée, pour résoudre les petits problèmes d'alignement.

- La surface de montage doit être nettoyée et préparée conformément à la procédure d'installation.

- Si vous envisagez d'installer un accessoire encastré, coupez le panneau en conséquence, une fois qu'il est complètement installé et qu'il a eu suffisamment de temps pour coller au mur. N'oubliez pas de tenir compte des montants muraux lorsque vous positionnez l'accessoire.

CONSEILS PRATIQUES POUR L'APPLICATION DU CALFEUTRE :

- Suivez les instructions sur le tube de calfeutre choisi.

- Une fois que vous avez terminé le projet, examinez toutes les surfaces sur lesquelles vous avez appliqué du calfeutre pour vérifier qu'il n'y a aucun vide, en le remplissant le cas échéant.

- Retirez tout excès de calfeutre à l'aide d'un alcool dénaturé et d'un linge propre. Faites attention et ne portez atteinte à aucun des joints matés.

PROCÉDURE D'INSTALLATION :

La cabine de douche peut être installée par-dessus divers produits. Veuillez consulter un entrepreneur professionnel, si vous avez l'intention de poser les panneaux sur une surface autre que celles décrites ici.

CIMENT/BÉTON :

- Selon l'état (planéité) du mur existant, une quantité de silicone supplémentaire peut s'avérer nécessaire pour fixer solidement les panneaux muraux au substrat.

- La surface doit être tout à fait propre. C'est-à-dire, sans y être limité, exempt de : Résidus de savon, poussière et tout autre contaminant qui peuvent nuire à l'adhérence. Les carreaux de céramique n'ont pas besoin d'être retirés s'ils sont bien collés.

- Recommandation : La surface complète doit être scellée de deux couches de scellant à base d'eau ou d'huile, pour assurer une bonne adhérence de la cabine de douche.

- Terminez l'installation des panneaux muraux en suivant le guide d'instructions, une fois que le scellant est complètement sec.

MASONITE :

- La surface doit être tout à fait propre. C'est-à-dire, sans y être limité, exempt de : Résidus de savon, poussière et tout autre contaminant qui peuvent nuire à l'adhérence.

- Facultatif : La surface complète doit être scellée de deux couches de scellant à base d'eau ou d'huile, pour assurer une bonne adhérence de la cabine de douche.

- Terminez l'installation des panneaux muraux en suivant le guide d'instructions, une fois que le scellant est complètement sec.

ANCIEN CARREAU :

IMPORTANT : Tous les carreaux en plastique doivent être retirés. Les anciens carreaux de céramique n'ont pas besoin d'être retirés s'ils sont bien collés.

- Selon l'état (planéité) du mur existant, une quantité de silicone supplémentaire peut s'avérer nécessaire pour fixer solidement les panneaux muraux au substrat.

- Retirez ou recollez correctement tous les carreaux de céramique lâches.

- Retirez tous les accessoires de carreaux fixés au mur. La surface doit être tout à fait propre. C'est-à-dire, sans y être limité, exempt de résidus de savon, de poussière et de tout autre contaminant pouvant nuire à l'adhérence.

- Terminez l'installation de la cabine de douche en suivant le guide d'instructions.

PLÂTRE :

- Une quantité de silicone supplémentaire peut s'avérer nécessaire pour fixer solidement le substrat et le panneau mural, selon l'état du mur existant.

- Lissez tous les finis texturés ou à spirales en les ponçant.

- La surface doit être tout à fait propre. C'est-à-dire, sans y être limité, exempt de résidus de savon, de poussière et de tout autre contaminant pouvant nuire à l'adhérence.

- Recommandation : La surface complète doit être scellée de deux couches de scellant à base d'eau ou d'huile, pour assurer une bonne adhérence de la cabine de douche.

- Terminez l'installation des panneaux muraux en suivant le guide d'instructions, une fois que le scellant est complètement sec.

PLAQUE DE PLÂTRE/PANNEAU VERT/ PANNEAU DE CIMENT/BOIS :

- La surface doit être tout à fait propre et sans résidus de savon, de poussière et de tout autre contaminant pouvant nuire à l'adhérence.

- Facultatif : La surface complète doit être scellée de deux couches de scellant à base d'eau ou d'huile, pour assurer une bonne adhérence de la cabine de douche.

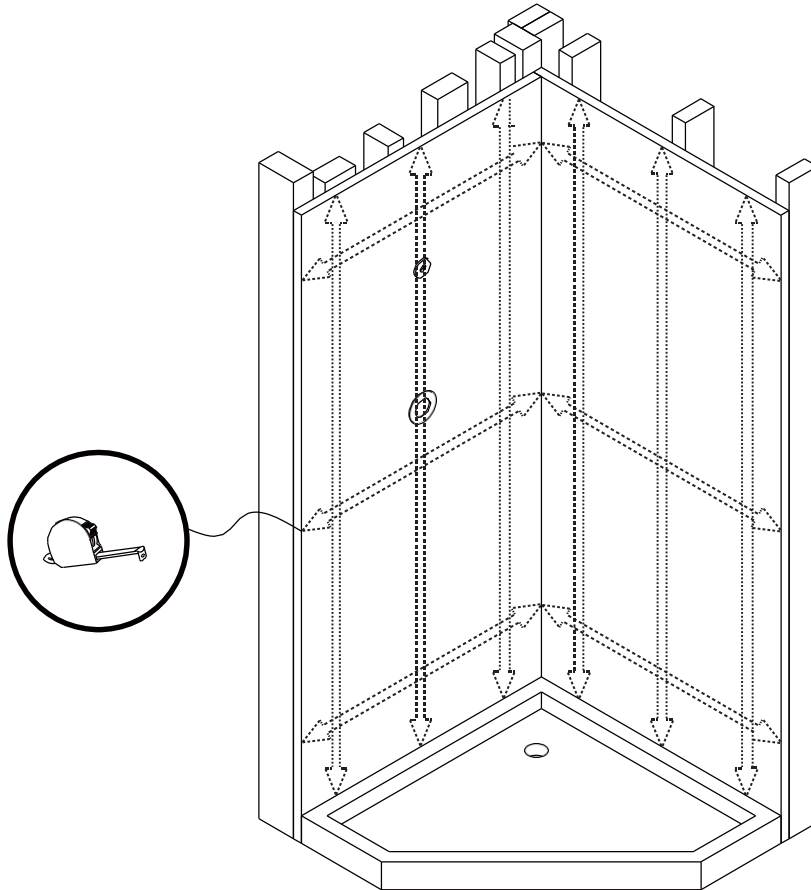
- Terminez l'installation des panneaux muraux en suivant le guide d'instructions, une fois que le scellant est complètement sec.



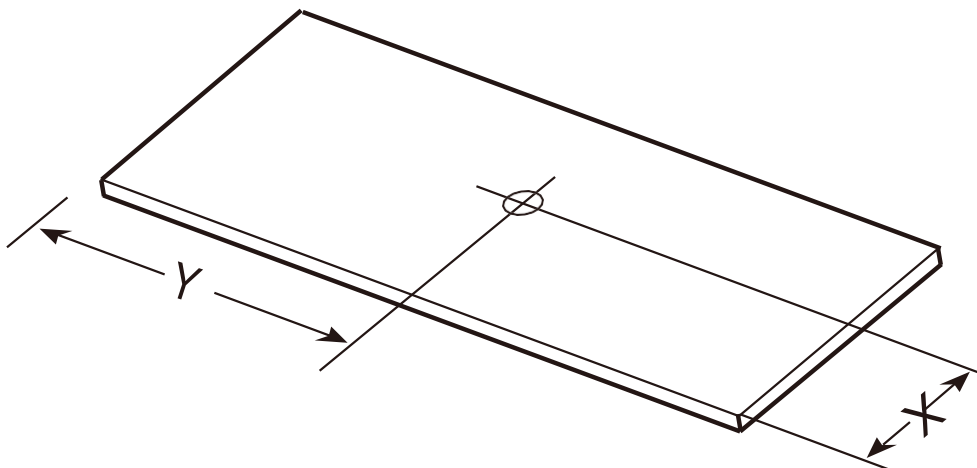
PROCÉDURE D'INSTALLATION/ÉTAPE 1

1 PRISE DE MESURES

1. Mesurez la hauteur de la surface d'installation aux deux extrémités de chaque mur. À partir du haut de la baignoire ou du bac de douche et jusqu'au plafond. Si la hauteur du plafond est inférieure à celle des panneaux compris dans votre prêt-à-monter, les panneaux peuvent être raccourcis à l'aide de la procédure de coupe décrite à l'étape 2.
2. Mesurez la largeur de chaque mur en haut et en bas de la surface d'installation.



3. Mesurez les emplacements de découpe pour les éléments de plomberie et marquez-les au dos du/des panneau(x) approprié(s).



2 COUPER

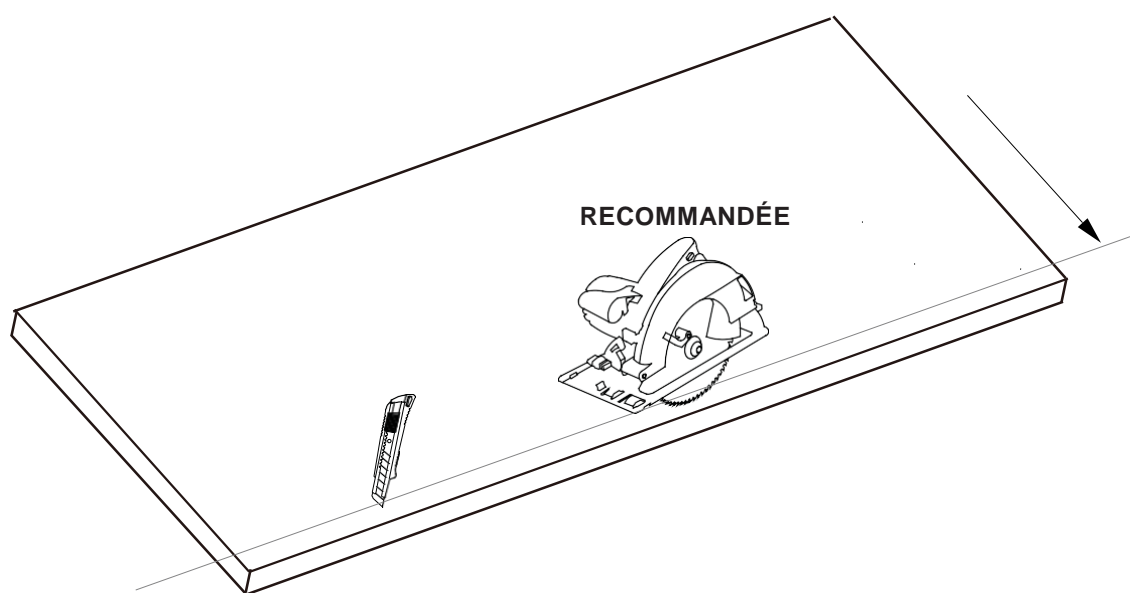
Remarque importante : Les flèches figurant sur l'étiquette au dos de chaque panneau indiquent le HAUT du panneau. Il faut suivre les instructions de coupe suivantes pour toutes les coupes.

Couper les panneaux à la bonne taille :

1. Tracez une ligne avec soin au dos de chaque panneau, là où la coupe sera effectuée. Tout ajustement pour un mur qui n'est pas d'équerre ou mal aplombé doit être envisagé quand vous tracez cette ligne.

Remarque : L'utilisation d'une règle droite est fortement recommandée, si possible.

2. Une scie circulaire est recommandée pour effectuer les coupes requises. Si vous utilisez un couteau universel, tracez la ligne plusieurs fois, puis servez-vous d'une pince-étau pour casser ce qui dépasse, comme illustré.



Découps pour éléments de plomberie :

Utilisez une perceuse et la scie-cloche de taille appropriée pour effectuer des découpes pour la pomme de douche, les manettes du robinet et/ou toutes autres découpes nécessaires pour la plomberie déjà présente dans les murs.

Remarque : Pour vous assurer que vos prises de mesure sont correctes, créez un gabarit en carton pour essayer les découpes pour les éléments de plomberie avant de couper les panneaux JETCOAT®.

Important : Le mandrin porte-foret peut endommager la surface du panneau mural Jetcoat®. Percez les trous à partir du dos du panneau.

Accessoires encastrés :

Si vous envisagez d'installer un accessoire encastré, coupez le panneau en conséquence, une fois qu'il est complètement installé et qu'il a eu suffisamment de temps pour coller au mur. N'oubliez pas de tenir compte des montants muraux lorsque vous positionnez l'accessoire.

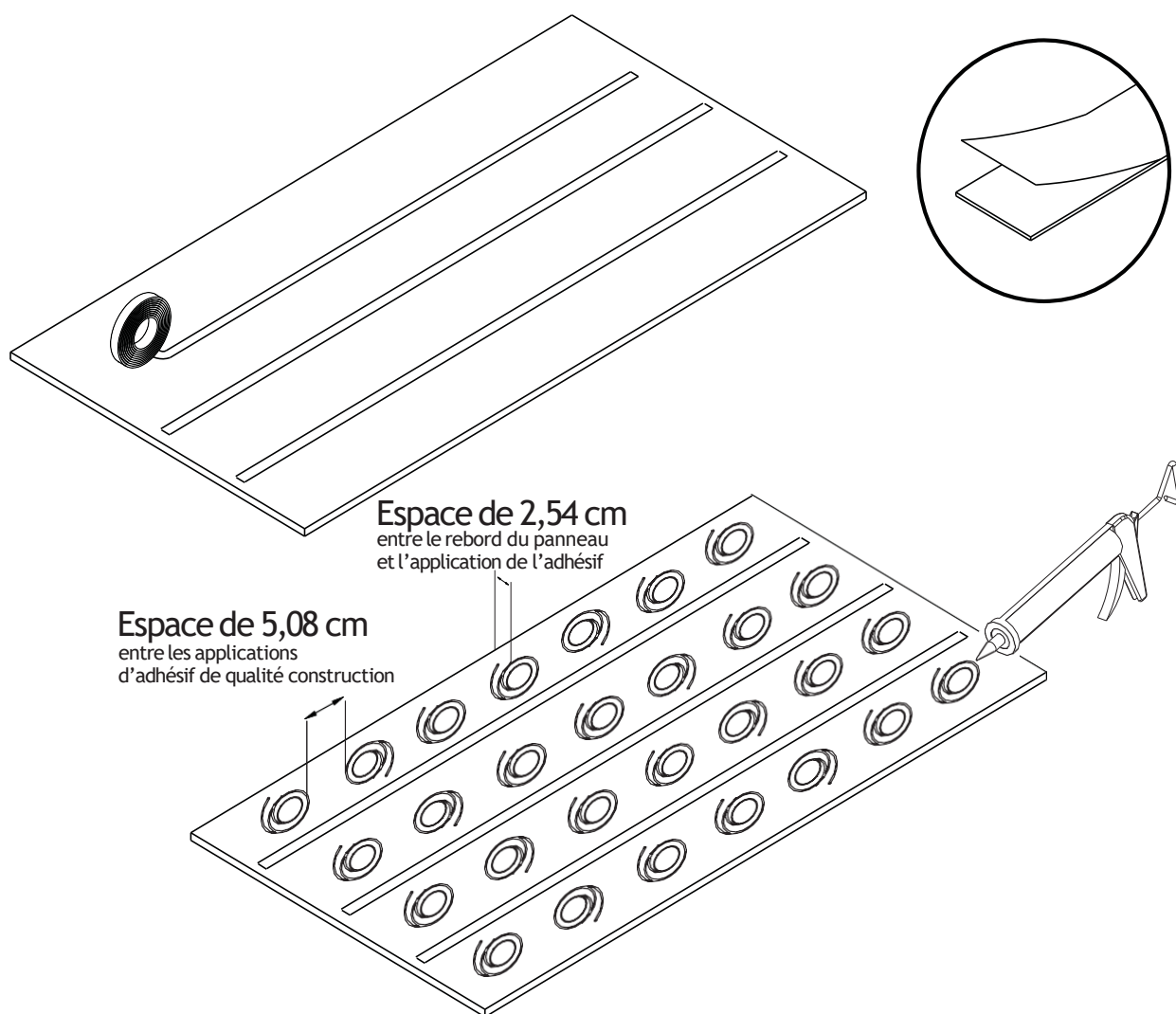
PROCÉDURE D'INSTALLATION/ÉTAPE 3

3 APPLIQUER L'ADHÉSIF ET LE RUBAN ADHÉSIF AU DOS DES PANNEAUX MURAUX

Les instructions suivantes doivent être suivies quand vous posez le ruban adhésif et l'adhésif sur chaque panneau mural.

1. Appliquez le ruban double face de qualité construction au dos de la surface murale comme illustré.
2. Appliquez l'adhésif de qualité construction sur les zones entre le ruban adhésif comme illustré selon un tracé circulaire. Les perles d'adhésif doivent être espacées de 5,08 cm (2 po) et éloignées d'au moins 2,54 cm (1 po) du rebord du panneau.

Important : Le tracé circulaire est essentiel pour une adhérence adéquate.



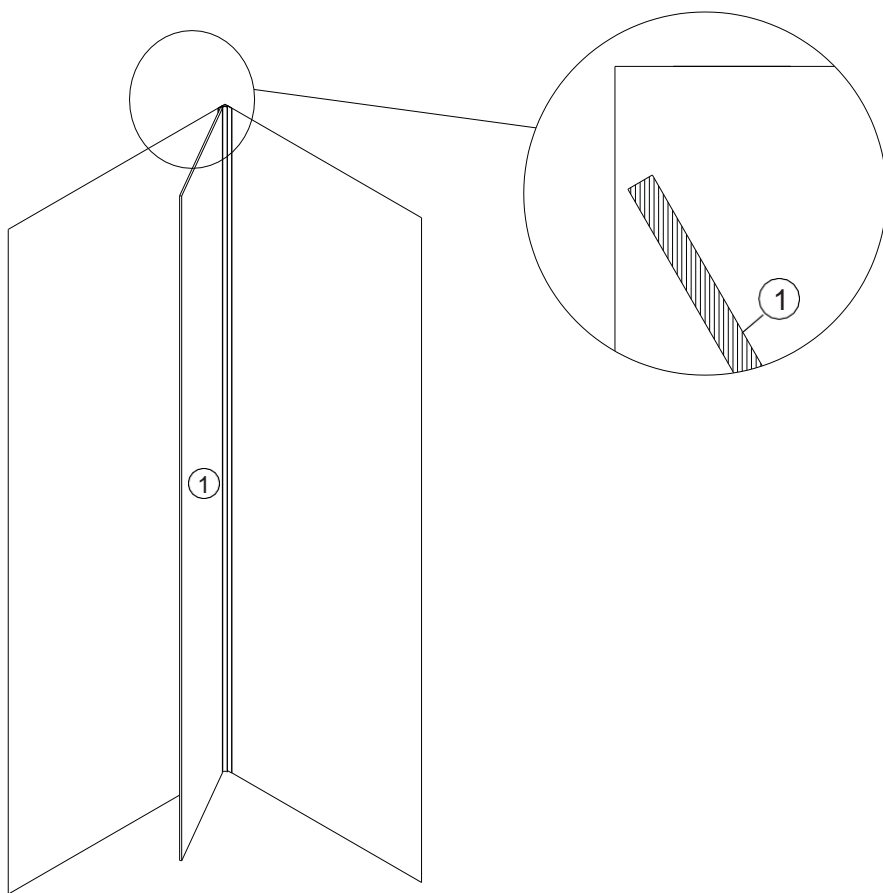
4 INSTALLATION DU PANNEAU MURAL LATÉRAL GAUCHE

Remarque importante : Les flèches figurant sur l'étiquette au dos de chaque panneau indiquent le HAUT du panneau.

1. Repérez le *panneau gauche (1)* et couchez-le sur une surface plane.
2. En fonction de vos prises de mesure à l'étape 1 (Prise de mesures), coupez le panneau aux dimensions appropriées et effectuez toutes les découpes de plomberie requises, conformément aux instructions de l'étape 2 (Couper).

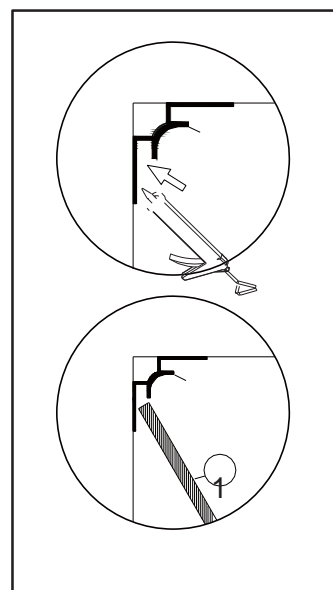
IMPORTANT : Que vous utilisiez ou non la garniture de coin en option, veillez à mesurer et couper correctement en fonction de l'espace existant nécessaire pour terminer votre coin. Il se peut que vous ayez à couper plus ou à couper moins la languette pour assurer un ajustement et un fini corrects.

3. Appliquez le ruban double face et l'adhésif de qualité construction, comme expliqué dans l'étape 3.
4. Décollez l'endos du ruban adhésif double-face du dos du panneau mural aux rebords biseautés.
5. Positionnez le panneau à environ 30 degrés, poussez le rebord du panneau dans le coin, puis repoussez le panneau avec soin vers le mur.



5. GARNITURE DE COIN EN OPTION

Remplissez de calfeutre la rainure de l'élément en coin dans laquelle le panneau sera enclenché. Positionnez le panneau à environ 30 degrés, poussez le rebord du panneau dans la rainure, puis poussez le panneau avec soin vers le mur.



6. Poussez fermement contre le mur en lissant le long de toute la surface pour éliminer les bulles d'air, puis tapotez légèrement le panneau mural avec un maillet en caoutchouc de haut en bas pour vous assurer qu'il est bien serré contre le mur.

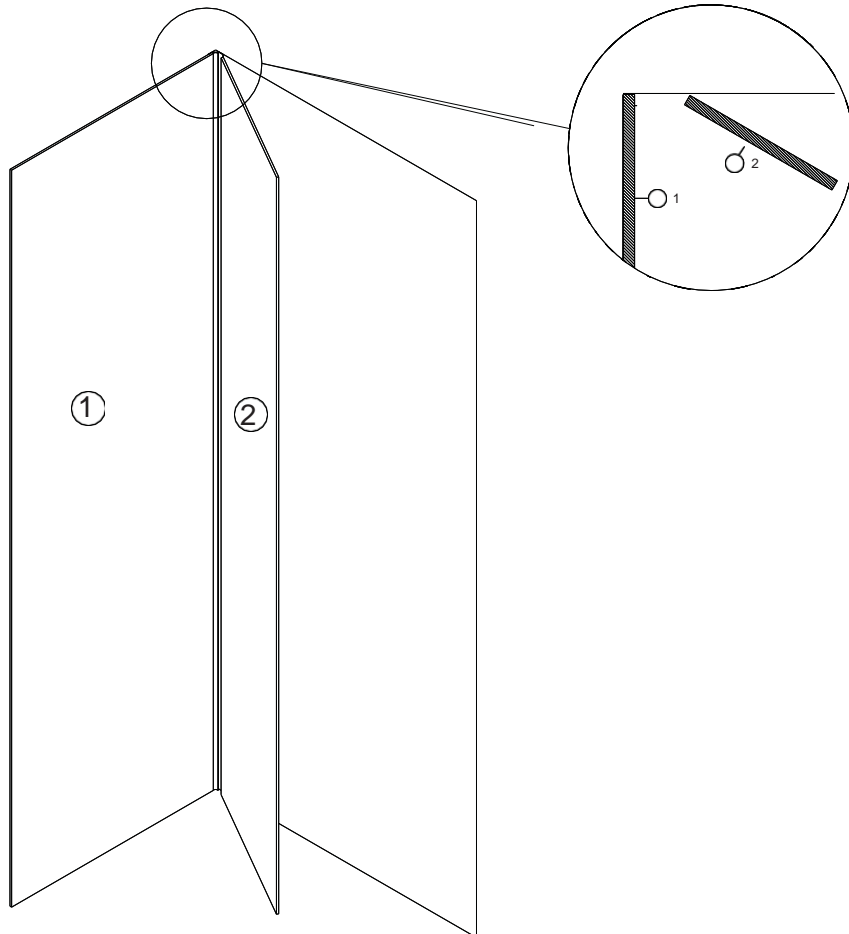
5 INSTALLATION DU PANNEAU MURAL LATÉRAL DROIT

Remarque importante : Les flèches figurant sur l'étiquette au dos de chaque panneau indiquent le HAUT du panneau.

1. Repérez le *panneau droit (2)* et couchez-le sur une surface plane.
2. En fonction de vos prises de mesure à l'étape 1 (Prise de mesures), coupez le panneau aux dimensions appropriées et effectuez toutes les découpes de plomberie requises, conformément aux instructions de l'étape 2 (Couper).

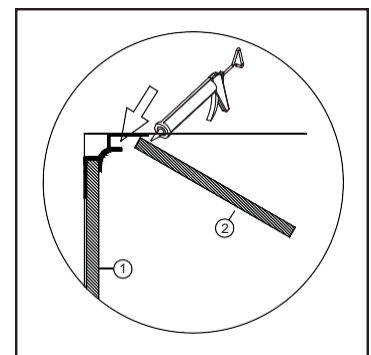
IMPORTANT : Que vous utilisiez ou non la garniture de coin en option, veillez à mesurer et couper correctement en fonction de l'espace existant nécessaire pour terminer votre coin. Il se peut que vous ayez à couper plus ou à couper moins la languette pour assurer un ajustement et un fini corrects.

3. Appliquez le ruban double face et l'adhésif de qualité construction, comme expliqué dans l'étape 3.
4. Décollez l'endos du ruban adhésif double-face du dos du panneau mural aux rebords biseautés.
5. Positionnez le panneau à environ 30 degrés, poussez le rebord du panneau dans le coin, puis poussez le panneau avec soin vers le mur.



5. GARNITURE DE COIN EN OPTION

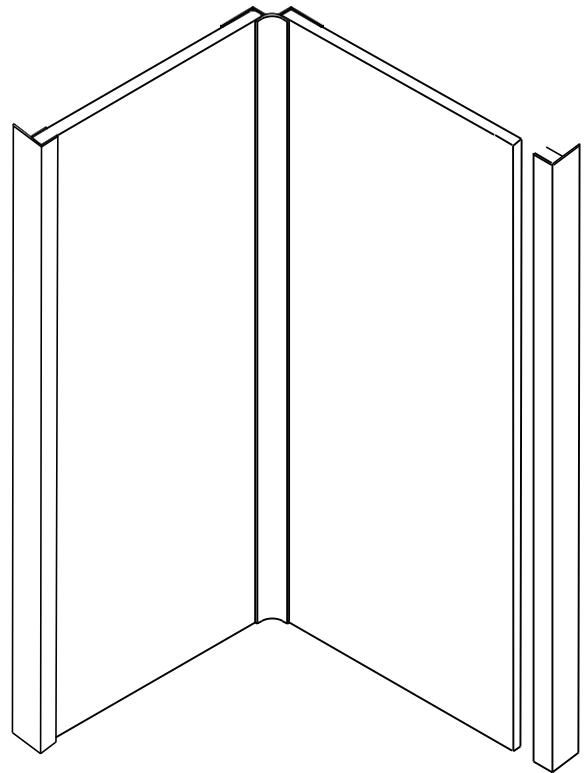
Remplissez de calfeutre la rainure de l'élément en coin dans laquelle le panneau sera enclenché. Positionnez le panneau à environ 30 degrés, poussez le rebord du panneau dans la rainure, puis poussez le panneau avec soin vers le mur.



6. Poussez fermement contre le mur en lissant le long de toute la surface pour éliminer les bulles d'air, puis tapotez légèrement le panneau mural avec un maillet en caoutchouc de haut en bas pour vous assurer qu'il est bien serré contre le mur.

6 EN OPTION : INSTALLATION DE LA GARNITURE DE REBORD

1. Mesurez et coupez la garniture de rebord à la bonne longueur et de façon à recouvrir les carreaux ou le matériau mural existant, selon les besoins.
2. Remplissez de calfeutre la rainure dans laquelle le panneau mural glissera, et appliquez un adhésif de qualité construction au dos de la garniture de rebord. Positionnez la garniture de rebord avec soin et poussez-la en place.



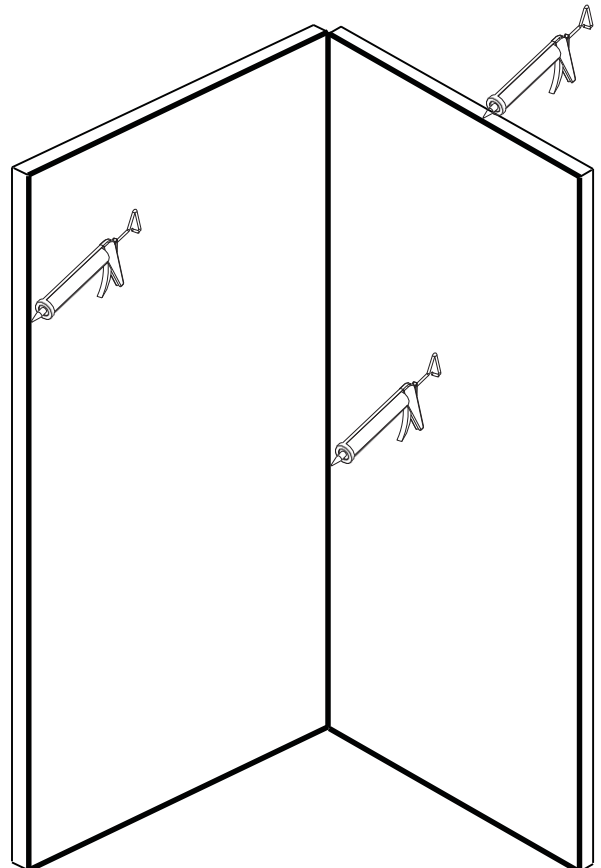
PROCÉDURE D'INSTALLATION/ÉTAPE 7

7 CALFEUTRAGE DES COINS ET REBORDS

Appliquez du calfeutre correctement autour de la cabine de douche Jetcoat® pour assurer un ajustement et un fini adéquats. Ceci comprend, sans s'y limiter :

- Le coin intérieur où les parois de la cabine de douche se touchent (pas nécessaire en cas d'utilisation d'éléments en coin en option).
- Les coins où les parois touchent le bac.
- Le rebord extérieur des panneaux latéraux (pas nécessaire en cas d'utilisation d'éléments de rebord en option).
- Le calfeutrage (facultatif) le long du rebord supérieur de l'enceinte tout entière n'est pas requis mais peut aider à contribuer à un aspect fini.

Remarque importante : Veuillez maintenir la surface tout entière sèche pendant au moins 24 heures, pour permettre au calfeutre et à l'adhésif de construction de sécher correctement.

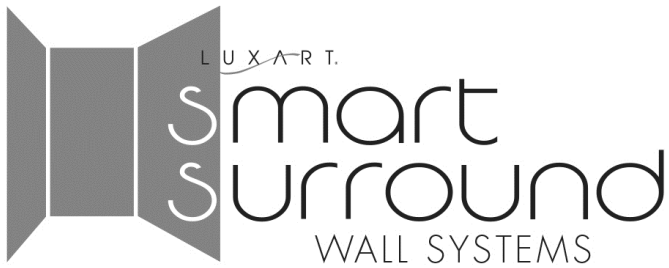


Garantie

Le distributeur garantit à l'acheteur original que cet article est exempt de défauts de fabrication, qui nuisent au rendement de l'installation pour baignoire ou pour douche, conformément aux conditions suivantes et aux limitations indiquées dans les sections « Recours » et « Limitations de la garantie ». La garantie limitée est valable pendant les 5 années suivant la date d'achat si l'article est utilisé dans un immeuble résidentiel occupé par le propriétaire ou pendant les 2 années suivant la date d'achat si l'article est utilisé dans tout autre bâtiment, y compris les immeubles utilisés à des fins locatives, commerciales ou professionnelles. Cette garantie limitée est nulle si l'article n'est pas installé conformément aux instructions d'installation fournies par le distributeur, ou aux codes et règlements locaux du bâtiment, ou si les instructions d'entretien et de nettoyage fournies par le distributeur ne sont pas suivies. Cette garantie limitée est également nulle si l'article est déplacé de son lieu d'installation initial ou s'il est endommagé en raison d'un accident ou d'un usage abusif ou inapproprié. La garantie limitée ne couvre pas l'usure normale. Cette garantie limitée sera annulée à moins qu'une défaillance ou une non-conformité soient notées avant l'expiration de la présente garantie et qu'elles soient signalées au distributeur dans une lettre accompagnée de la preuve d'achat originale dans les 30 jours suivant leur découverte.

RECOURS - Le recours de l'acheteur initial dans le cadre de la présente garantie se limite au remboursement du prix d'achat de l'article ou à la réparation ou au remplacement de toute pièce de l'article défectueuse ou non conforme aux indications du fabricant, à la seule discrétion du distributeur. Le distributeur ne peut pas être tenu responsable des dommages ou des pertes de jouissance d'un bâtiment ou de son contenu qui découlent d'un défaut de l'article, ou de tout coût s'ajoutant au prix d'achat original de l'article. Le distributeur se réserve le droit d'exiger le retour, aux frais de l'acheteur, de l'article endommagé aux fins de réparation ou d'échange avant d'offrir des services en vertu de cette garantie limitée. Si le distributeur décide de remplacer l'article, son obligation se limite à fournir une unité de rechange ou une pièce de taille et de style comparables, et n'inclut pas le coût du retrait, de l'installation ou du transport, qui doit être assumé par l'acheteur. Les pièces de rechange fournies en vertu de cette garantie limitée sont garanties pour le reste de la période de garantie originale applicable à l'article, comme si ces pièces étaient les pièces originales de cet article.

LIMITATIONS DE GARANTIE – AUCUNE AUTRE GARANTIE N'EXISTE EN DEHORS DES MODALITÉS DÉCRITES DANS LES PRÉSENTES. TOUTE GARANTIE IMPLICITE, Y COMPRIS TOUTE GARANTIE DE QUALITÉ MARCHANDE OU D'ADÉQUATION À UN USAGE PARTICULIER, EST EXPRESSÉMENT EXCLUE. LE DISTRIBUTEUR DÉCLINE TOUTE RESPONSABILITÉ EN CE QUI A TRAIT AUX DOMMAGES SPÉCIAUX, ACCESSOIRES OU CONSÉCUTIFS. Certains États ou certaines provinces ne permettent pas la limitation des dommages accessoires ou consécutifs, de sorte que les exclusions ou limitations mentionnées ci-dessus peuvent ne pas s'appliquer à vous. Dans ces États ou provinces, la responsabilité des distributeurs est limitée aux restrictions permises par la loi. **TOUTE GARANTIE IMPLICITE ACCORDÉE PAR LES LOIS D'UN ÉTAT OU D'UNE PROVINCE, Y COMPRIS LA GARANTIE IMPLICITE DE QUALITÉ MARCHANDE OU D'ADÉQUATION À UN USAGE PARTICULIER, EST PAR LA PRÉSENTE LIMITÉE À LA DURÉE ET L'ÉTENDUE DE LA COUVERTURE DES CONDITIONS DE CETTE GARANTIE LIMITÉE, À MOINS QU'UNE PÉRIODE PLUS COURTE SOIT PERMISE PAR LA LOI.**

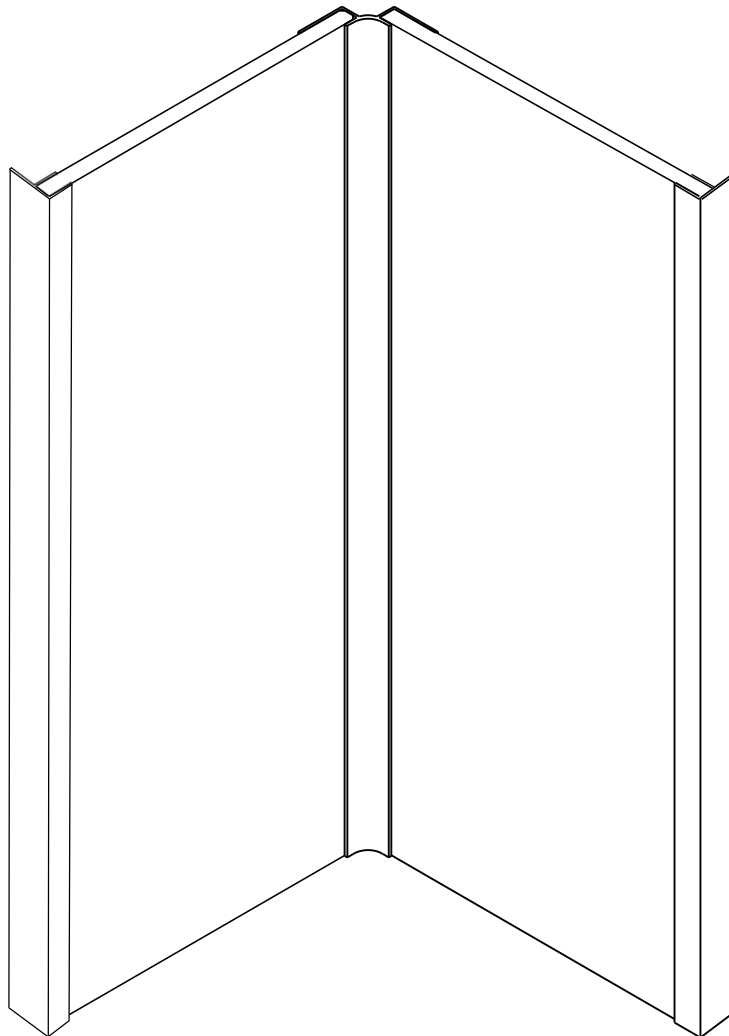


Kits de pared de Ducha Neoángulo

LEE DETENIDAMENTE LAS INSTRUCCIONES

Familiarízate con todas las piezas tal como se muestran en la vista ampliada. La vista ampliada sirve también como útil referencia para conocer la ubicación de varias piezas y cómo se instalan.

COPIA EL NÚMERO DE MODELO PARA TUS REGISTROS AQUÍ #



*Se muestra con
Moldura opcional
para esquina y borde

Asistencia gratuita al cliente

De lunes a viernes de 7:30 a.m. a 5:00 p.m. CST.

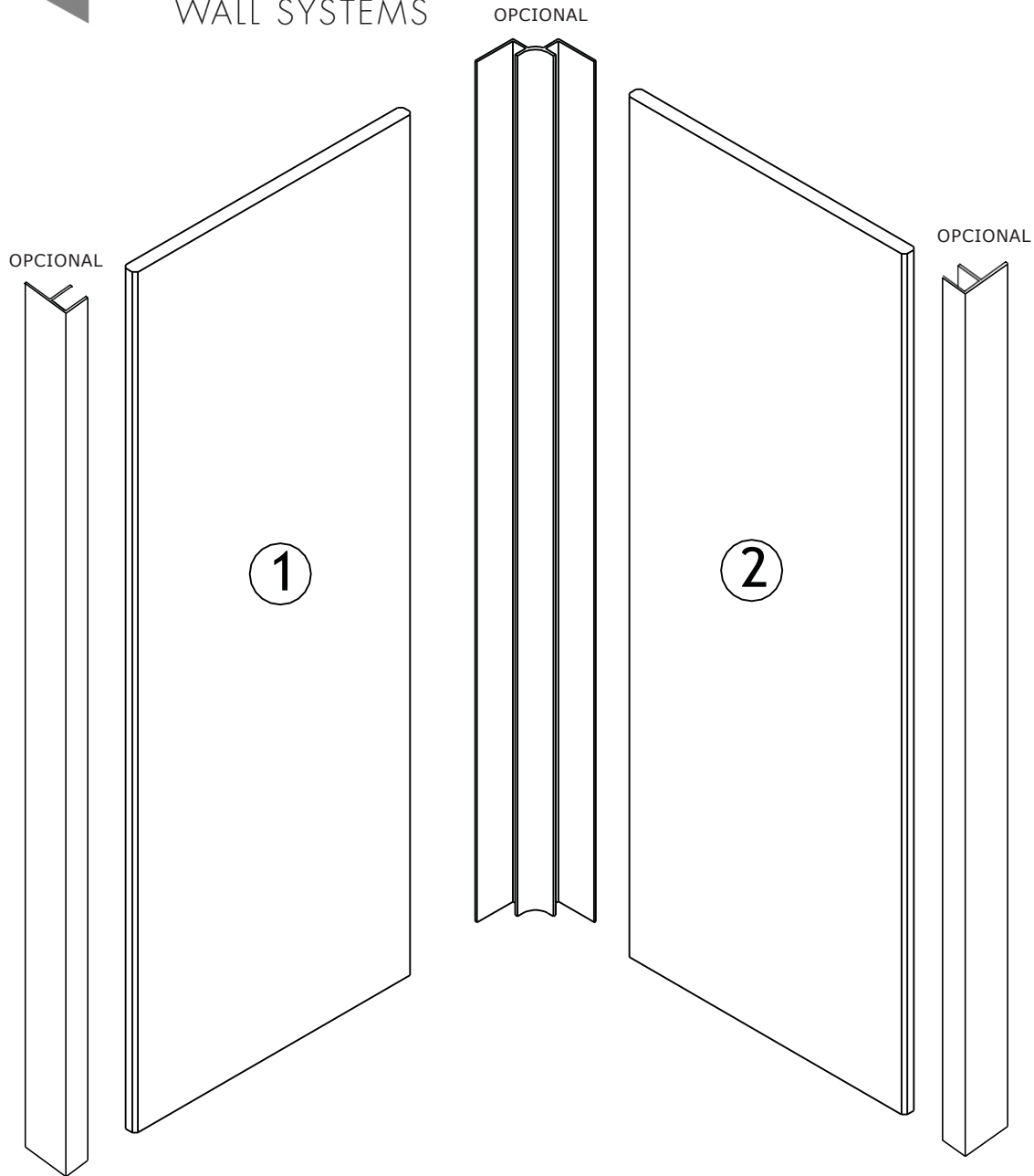
1-888-620-3667

1-888-256-7551

Clientes de EE. UU.

Clientes de Canadá

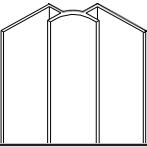
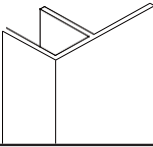
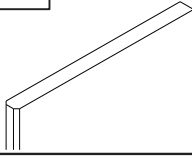
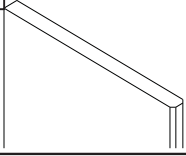
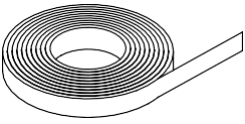




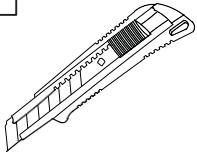
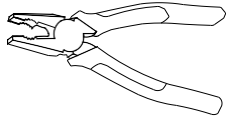
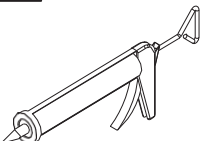
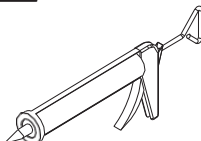
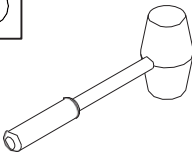
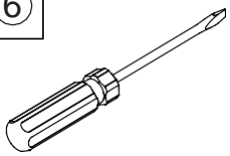
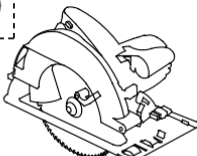
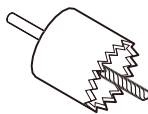
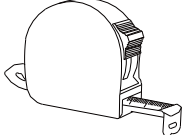
CUIDADO: No colocar sobre esquinas al manipular piezas de pared

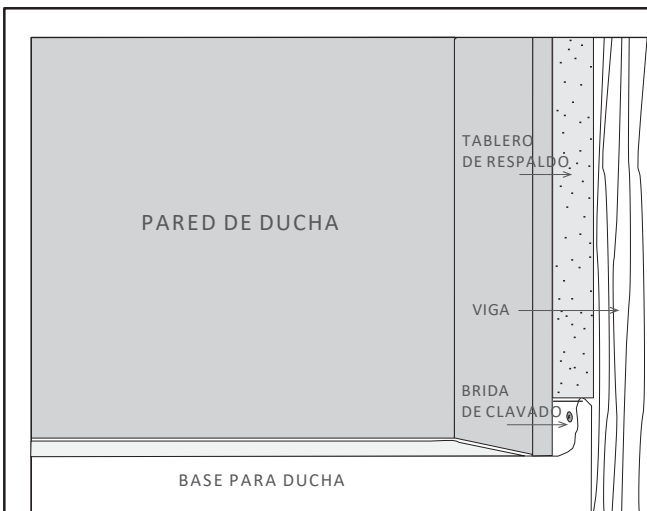
NOTA: Se proporcionan piezas opcionales de molduras de esquina y borde en el kit, pero no son necesarias para completar la instalación del sistema de pared de ducha. Lee todo el manual de instrucciones para comprender cómo pueden instalarse los paneles de pared a fin de ajustarlos sobre las paredes existentes.

LISTA DE PIEZAS

				
OPCIONAL Moldura de esquina interna	OPCIONAL Moldura de borde	Panel IZQUIERDO con borde biselado	Panel DERECHO con borde biselado	Cinta adhesiva de doble cara para uniones de estructuras

HERRAMIENTAS RECOMENDADAS

				
Cuchillo multiuso	Tenazas de bloqueo	Adhesivo para construcción	Silicona	
				
Martillo de goma	Destornillador plano	Sierra circular	Sierra cilíndrica	Cinta de medir



NOTA: INSTALACIÓN DE LA BASE DE LA DUCHA

Cuando se usa junto con una base de ducha que tiene una brida de clavado, el sistema de pared de ducha está diseñado para instalarse como se muestra en el dibujo. La brida de clavado de la base debe fijarse directamente a los montantes desnudos con un tablero de respaldo unido a los montantes sobre la brida de clavado. Las paredes Jetcoat® se instalan sobre el tablero de respaldo extendiéndose hacia abajo de frente a la brida de clavado y descansando sobre la base. No instalar la base en esta configuración puede causar problemas al instalar las paredes.

CONSEJOS DE PREPARACIÓN

Antes de instalar el producto, asegúrate de tener todas las piezas. Compara las piezas con la lista de contenido del paquete. Si alguna pieza falta o está dañada, no intentes ensamblar o instalar el producto.

- Comienza midiendo el ancho total de la pared trasera después de haberla limpiado y preparado para la instalación.

- Si la altura total de las paredes traseras y/o laterales sobre la bañera o la base de la ducha es menor que la altura de los paneles, se pueden cortar fácilmente para que quepan.

- Cierra el suministro de agua.

- Retira todos los herrajes y decoraciones de la ducha, incluyendo, aunque sin limitarse a: Llaves de grifos, escudetes, caños de llenado, toalleros y jaboneras.

- Todo el trabajo eléctrico y de plomería dentro de las paredes tiene que terminarse antes de comenzar la instalación de los paneles de pared.

- Las paredes deben ser sólidas y rectas aplomada, en ángulo recto con desviación máxima de 1/8 plg (3 mm). El Sistema de Pared para Ducha ha sido diseñado para permitir el uso de molduras que corrijan pequeños problemas de alineación.

- La superficie de montaje debe estar limpia y preparada, de acuerdo con el procedimiento de instalación.

- Si piensas instalar un accesorio empotrado, recorta el panel como corresponda después de instalado por completo y de pasado el tiempo adecuado para adherirse a la pared. Recuerda tener en cuenta las vigas de pared al colocar el accesorio.

CONSEJOS PARA EL USO DE PASTA SELLADORA:

- Sigue las instrucciones que aparecen en el tubo de la pasta selladora seleccionada.

- Una vez terminado el proyecto, revisa todas las áreas donde se ha aplicado pasta selladora para ver si hay grietas o huecos que necesiten rellenarse.

- Retira el exceso de pasta selladora usando un paño limpio y alcohol desnaturalizado. Ten cuidado de no dañar las uniones de pasta selladora.

PROCEDIMIENTO DE INSTALACIÓN:

El Sistema de Pared para Ducha puede instalarse sobre una variedad de productos. Consulta a un contratista profesional si piensas colocar los paneles sobre una superficie diferente a las descritas aquí.

CEMENTO/CONCRETO:

- Dependiendo de la condición (planicie) de la pared existente, es posible que se requiera silicona adicional para asegurar adecuadamente los paneles de la pared al sustrato.

- La superficie tiene que estar completamente limpia. Esto incluye, aunque no se limita a: Sedimentos de jabón, polvo y otros contaminantes que pueden afectar la adherencia. No hace falta quitar las losas de cerámica si están bien adheridas.

- Se recomienda: Toda el área tiene que sellarse con dos capas de sellador a base de agua o aceite para garantizar la adhesión adecuada del Sistema de Pared para Ducha.

- Después de que el sellador se haya secado completamente, termina la instalación de los paneles de pared siguiendo el manual de instrucciones.

MASONITA:

- La superficie tiene que estar completamente limpia. Esto incluye, aunque no se limita a: Sedimentos de jabón, polvo y otros contaminantes que pueden afectar la adherencia.

- Opcional: Toda el área tiene que sellarse con dos capas de sellador a base de agua o aceite para garantizar la adhesión adecuada del Sistema de Pared para Ducha.

- Después de que el sellador se haya secado completamente, termina la instalación de los paneles de pared siguiendo el manual de instrucciones.

LOSA VIEJA:

IMPORTANTE: Todas las losas plásticas tienen que retirarse. No hace falta quitar las losas de cerámica viejas si están bien adheridas.

- Dependiendo de la condición (planicie) de la pared existente, es posible que se requiera silicona adicional para asegurar adecuadamente los paneles de la pared al sustrato.

- Retira y/o fija adecuadamente cualquier losa de cerámica suelta.

- Retira todos los accesorios de losa que estén sujetos a la pared. La superficie tiene que estar completamente limpia. Esto incluye, aunque no se limita a: sedimentos de jabón, polvo y otros contaminantes que pueden afectar la adherencia.

- Completa la instalación de la pared de ducha siguiendo el manual de instrucciones.

YESO:

- Puede que se requiera silicona adicional para asegurar bien el sustrato y el panel de pared, en función de la condición misma de la pared existente.

- Alisa los acabados texturizados y/o ondulados con una lija.

- La superficie tiene que estar completamente limpia. Esto incluye, aunque no se limita a: sedimentos de jabón, polvo y otros contaminantes que pueden afectar la adherencia.

- Se recomienda: Toda el área tiene que sellarse con dos capas de sellador a base de agua o aceite para garantizar la adhesión adecuada del Sistema de Pared para Ducha.

- Después de que el sellador se haya secado completamente, termina la instalación de los paneles de pared siguiendo el manual de instrucciones.

SHEETROCK/YESO IMPERMEABLE/ PLACA DE CEMENTO/MADERA:

- La superficie debe estar completamente limpia y libre de residuos de jabón, polvo y cualquier otro contaminante que pueda afectar la adherencia.

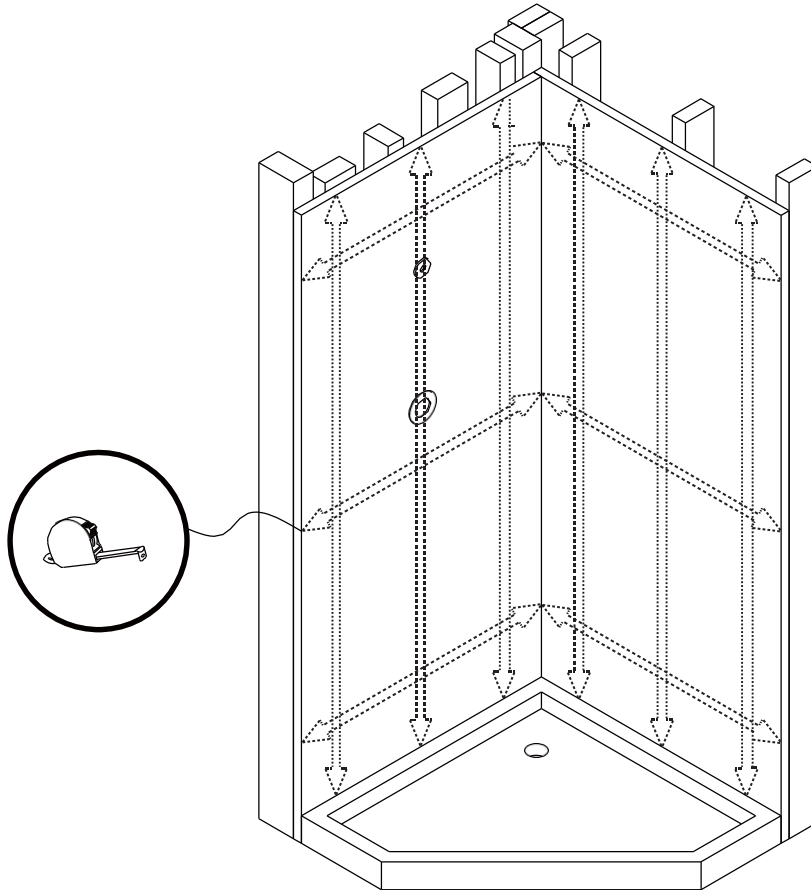
- Opcional: Toda el área tiene que sellarse con dos capas de sellador a base de agua o aceite para garantizar la adhesión adecuada del Sistema de Pared para Ducha.

- Después de que el sellador se haya secado completamente, termina la instalación de los paneles de pared siguiendo el manual de instrucciones.

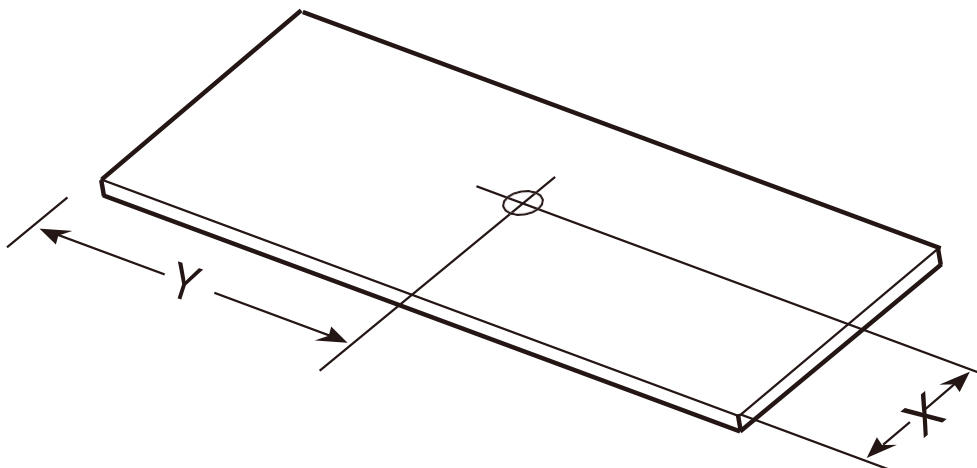


1 CÓMO MEDIR

1. Mide la altura del área de instalación en ambos extremos de cada pared. Desde la parte superior de la bañera o plato de la ducha hasta el techo. Si la altura del techo es menor que la altura de los paneles incluidos en el kit, los paneles se pueden cortar usando el mismo procedimiento de corte descrito en el Paso 2.
2. Mide el ancho de cada pared en la parte superior e inferior del área de instalación.



3. Mide las ubicaciones de los recortes para los accesorios de plomería y márcalos en la parte posterior de los paneles apropiados.



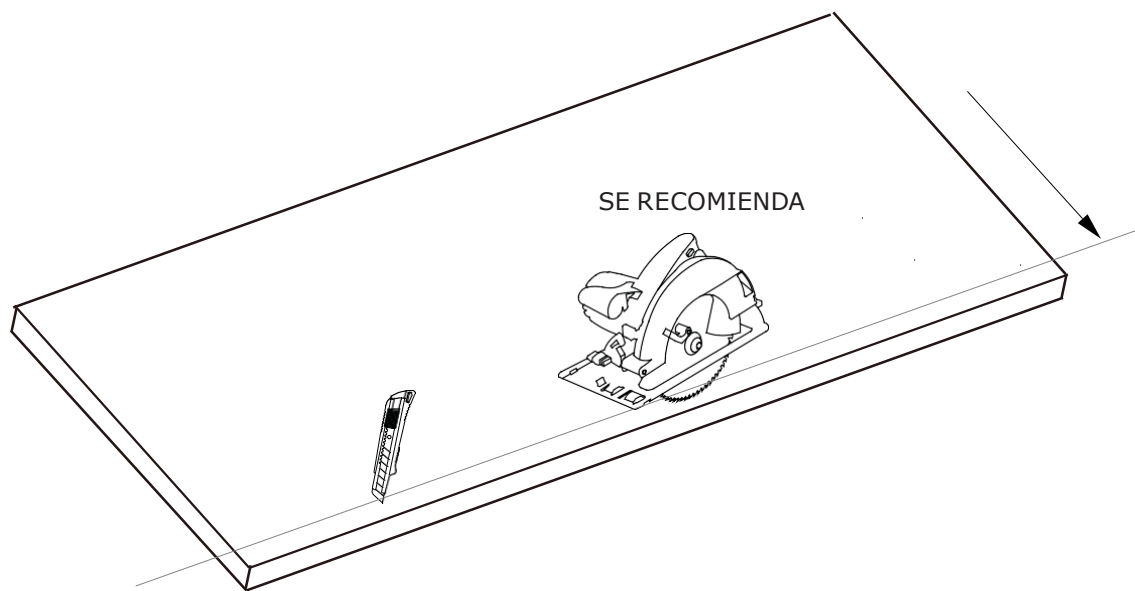
2 CÓMO CORTAR

Nota importante: Las flechas en la etiqueta en la parte posterior de cada panel indican la PARTE SUPERIOR del panel. Las siguientes instrucciones de cómo cortar deben usarse al hacer todos los cortes.

Cortar los paneles a la medida:

1. Traza con cuidado una línea en la parte posterior de cada panel donde se realizará el corte. Se debe considerar cualquier ajuste por falta de escuadra o plomada al trazar esta línea.
Nota: Se recomienda enfáticamente utilizar una regla cuando sea posible.

2. Se recomienda la sierra circular para realizar los cortes necesarios. Si usas un cuchillo, marca la línea varias veces y luego usa alicates de bloqueo para romper el excedente de la pieza como se muestra.



Cortes para la plomería:

Utiliza un taladro y una sierra de perforación del tamaño adecuado para hacer los cortes para la ducha, las manijas del grifo y/o cualquier otro corte necesario para la plomería que ya esté en las paredes.

Nota: Para asegurarte de que las medidas sean las correctas, haz una plantilla de cartón para probar los cortes para la plomería antes de cortar los paneles JETCOAT®.

Importante: El taladro puede dañar la superficie del panel de pared Jetcoat®. Taladra los orificios desde la parte posterior del panel.

Accesorios empotrados:

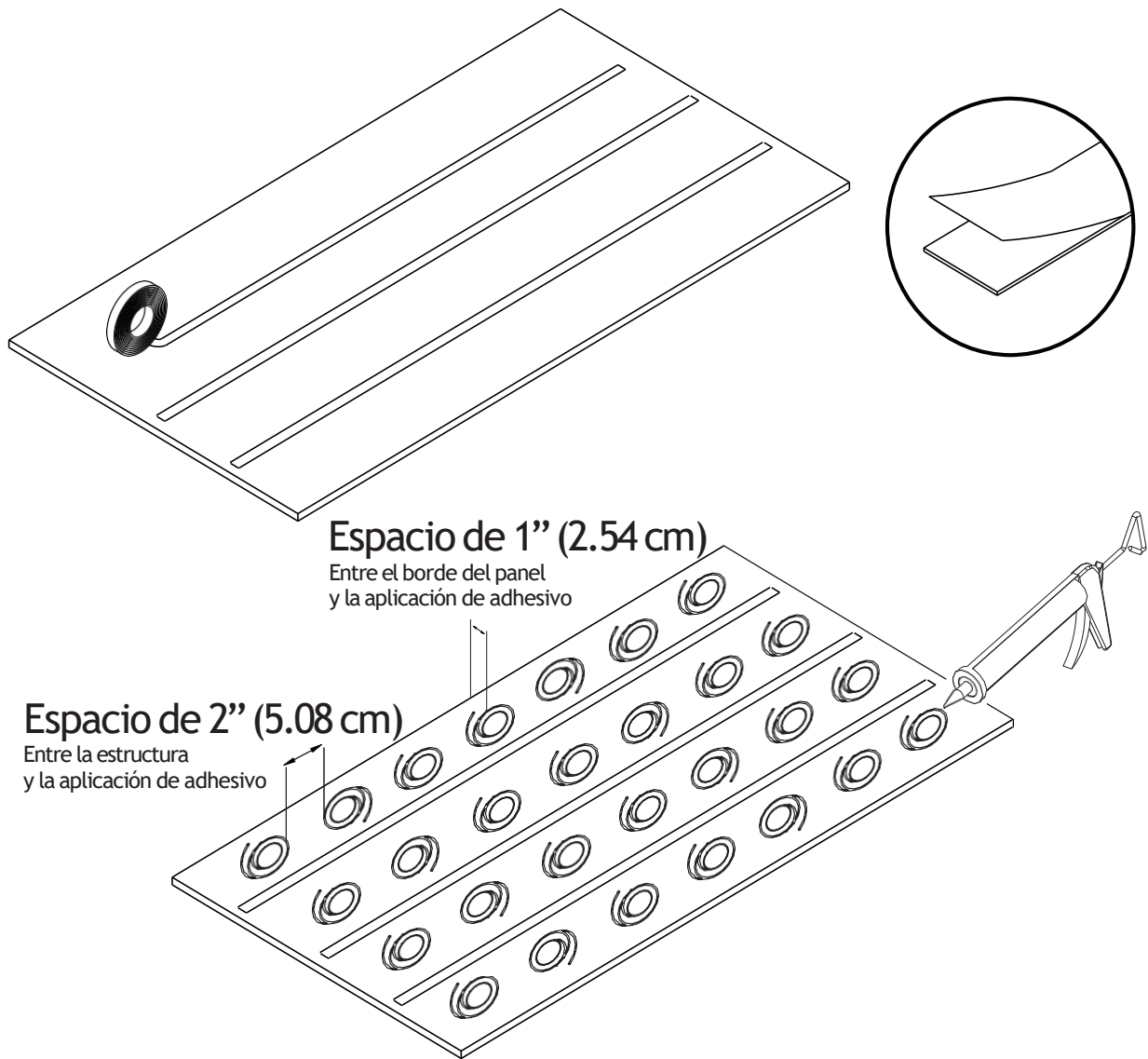
Si piensas instalar un accesorio empotrado, recorta el panel como corresponda después de instalado por completo y de transcurrido el tiempo adecuado para adherirse a la pared. Recuerda tener en cuenta las vigas de pared al colocar el accesorio.

3 CÓMO APLICAR ADHESIVO Y CINTA ADHESIVA A LA PARTE POSTERIOR DE LOS PANELES DE PARED

Se deben usar las siguientes instrucciones al aplicar cinta y adhesivo a cada panel de pared.

1. Aplica cinta adhesiva de construcción de doble cara en la parte posterior del panel de pared como se muestra.
2. Aplica adhesivo para construcción en los espacios entre la cinta tal como se muestra en un patrón circular. Las líneas de adhesivo deben estar a 2" (5.08 cm) de distancia y hasta, pero no más cerca de 1" (2.54 cm) del borde del panel.

Importante: El patrón circular es fundamental para una adherencia adecuada.



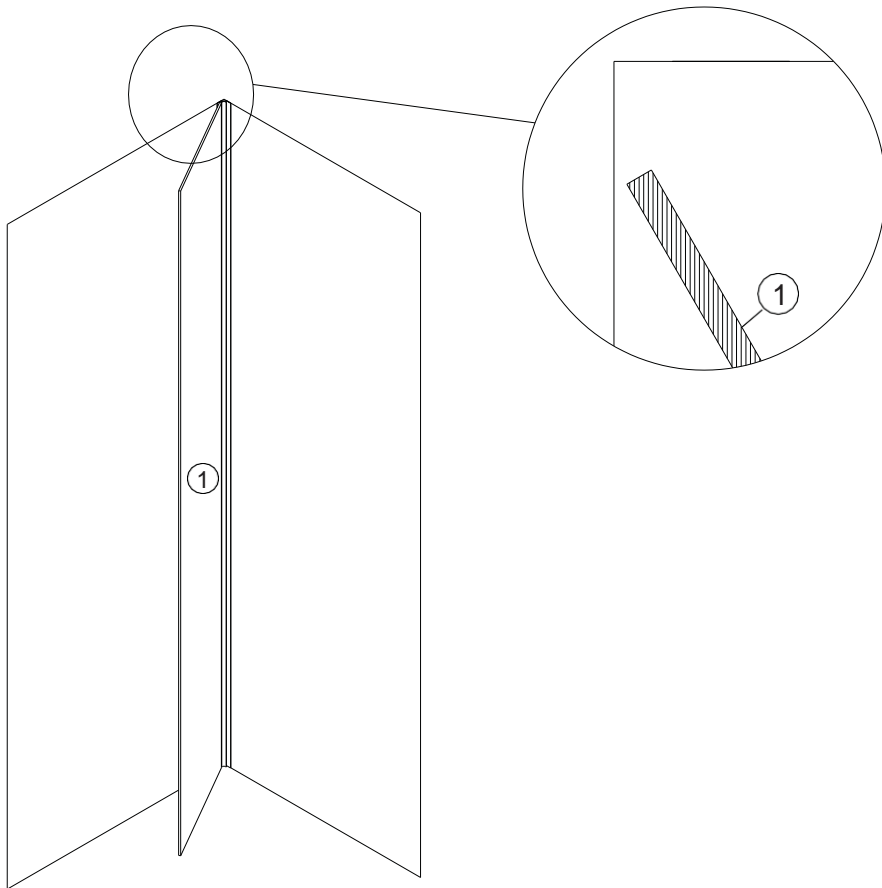
4 INSTALA EL PANEL DE PARED LATERAL IZQUIERDO

Nota importante: Las flechas en la etiqueta en la parte posterior de cada panel indican la PARTE SUPERIOR del panel.

1. Localiza el *panel (1) izquierdo* y colócalo sobre una superficie plana.
2. Según las medidas del Paso 1 (Medición), corta el panel al tamaño apropiado y haz los cortes de plomería necesarios de acuerdo con las instrucciones del Paso 2 (Corte)

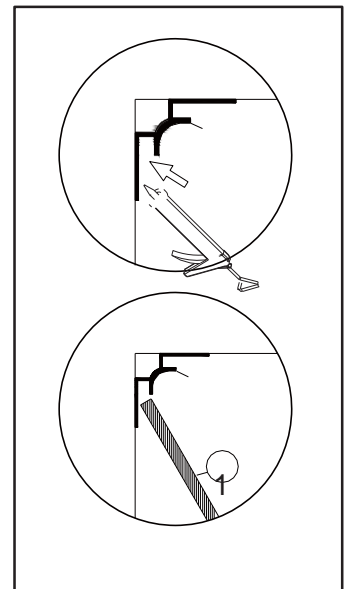
IMPORTANTE: Si estás usando la moldura de esquina opcional o no, asegúrate de medir y cortar apropiadamente para el espacio existente necesario a fin de completar la esquina. Puede que necesites recortar más o menos el lado de la lengüeta del panel para garantizar buen ajuste y acabado.

3. Aplica la cinta de doble cara y el adhesivo de construcción como se explica en el Paso 3.
4. Despega la parte posterior de la cinta de doble cara de la parte posterior del panel de pared con borde biselado.
5. Coloca el panel a aproximadamente 30 grados, empuja el borde del panel dentro de la esquina y luego empuja con cuidado el panel hacia la pared.



5. MOLDURA DE ESQUINA OPCIONAL

Rellena el canal de la pieza de la esquina en el que encajará el panel con pasta selladora. Coloca el panel a aproximadamente 30 grados, empuja el borde del panel hacia el canal y luego empuja con cuidado el panel hacia la pared.



6. Empuja el panel firmemente contra la pared para eliminar las burbujas de aire a lo largo de toda el área y luego golpea ligeramente el panel con un martillo de goma de arriba a abajo para asegurarte de que esté bien fijo a la pared.

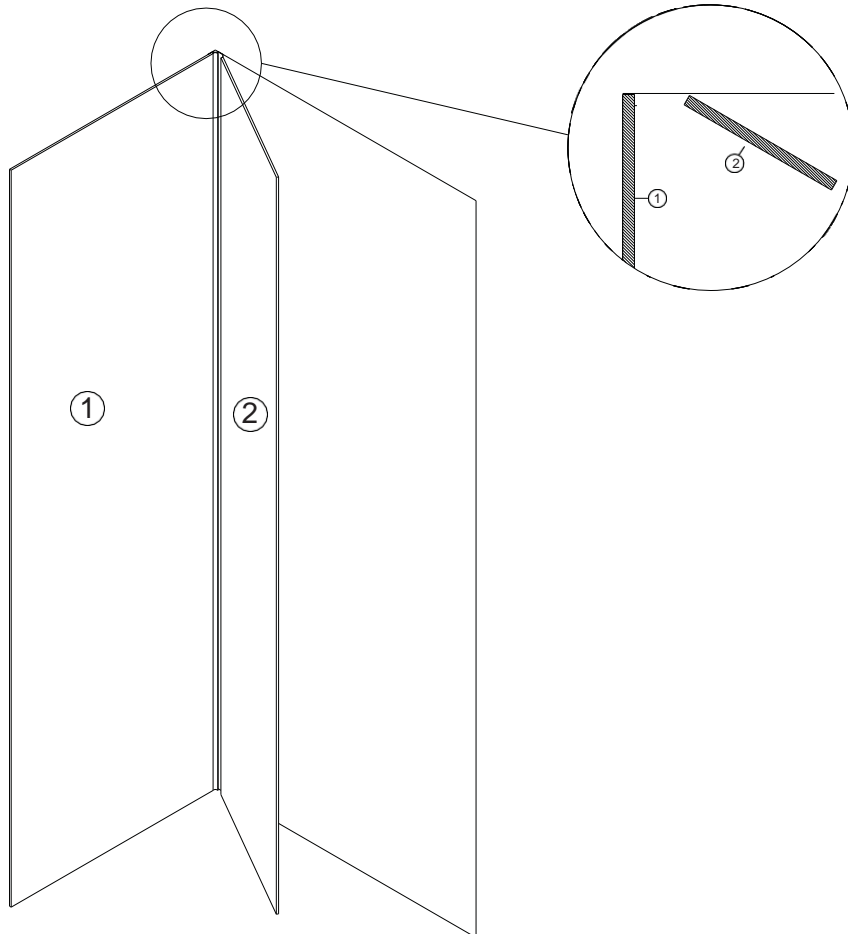
5 INSTALA EL PANEL DE PARED LATERAL DERECHO

Nota importante: Las flechas en la etiqueta en la parte posterior de cada panel indican la PARTE SUPERIOR del panel.

1. Localiza el *panel (2) derecho* y colócalo sobre una superficie plana.
2. Según las medidas del Paso 1 (Medición), corta el panel al tamaño apropiado y haz los cortes de plomería necesarios de acuerdo con las instrucciones del Paso 2 (Corte)

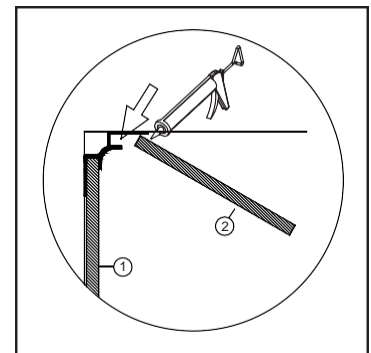
IMPORTANTE: Si estás usando la moldura de esquina opcional o no, asegúrate de medir y cortar apropiadamente para el espacio existente necesario a fin de completar la esquina. Puede que necesites recortar más o menos el lado de la lengüeta del panel para garantizar buen ajuste y acabado.

3. Aplica la cinta de doble cara y el adhesivo de construcción como se explica en el Paso 3.
4. Despega la parte posterior de la cinta de doble cara de la parte posterior del panel de pared con borde biselado.
5. Coloca el panel a aproximadamente 30 grados, empuja el borde del panel dentro de la esquina y luego empuja con cuidado el panel hacia la pared.



5. MOLDURA DE ESQUINA OPCIONAL

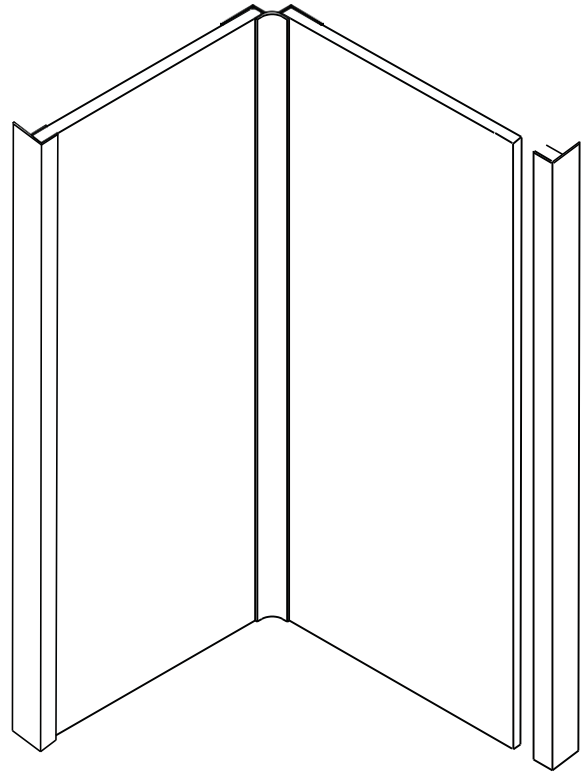
Rellena el canal de la pieza de la esquina en el que encajará el panel con pasta selladora. Coloca el panel a aproximadamente 30 grados, empuja el borde del panel hacia el canal y luego empuja con cuidado el panel hacia la pared.



6. Empuja el panel firmemente contra la pared para eliminar las burbujas de aire a lo largo de toda el área y luego golpea ligeramente el panel con un martillo de goma de arriba a abajo para asegurarte de que esté bien fijo a la pared.

6 OPCIONAL: INSTALAR MOLDURA DE BORDE

1. Mide y corta la molduras de borde alo largo y cubre las baldosas o material de pared existente según sea necesario.
2. Llena el canal en el que se deslizará el panel de pared con pasta selladora y aplica adhesivo de grado de construcción en la parte posterior de la moldura de borde. Coloca con cuidado la moldura de borde y empújala en su lugar.



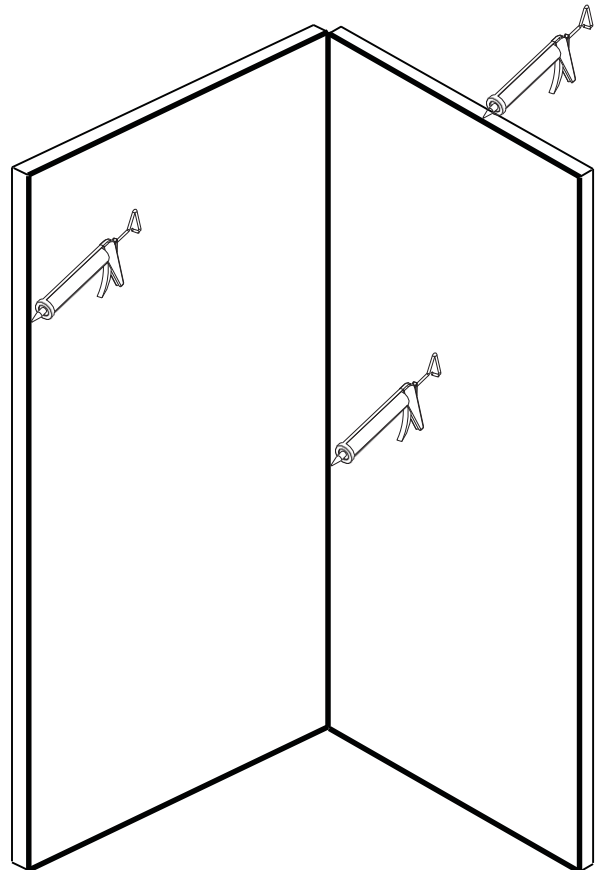
PROCEDIMIENTO PARA LA INSTALACIÓN / PASO 7

7 APLICAR PASTA SELLADORA EN ESQUINAS Y BORDES

Aplica adecuadamente pasta selladora alrededor del Sistema de Pared para Ducha JETCOAT® a fin de garantizar acabado y ajuste seguros. Esto incluye pero no se limita a:

- Esquinas interiores donde se juntan las paredes de la ducha (no es necesario si se usaron piezas de esquina opcionales).
- Esquinas donde las paredes se encuentran con la base.
- Borde exterior de los paneles de pared lateral (no es necesario si se utilizaron piezas de borde opcionales).
- (Opcional) No se requiere aplicar pasta selladora alo largo del borde superior de todo el gabinete, pero puede ayudar a contribuir aun aspecto acabado.

Nota importante: Mantén toda el área seca durante un mínimo de 24 horas para permitir que la pasta selladora y el adhesivo de construcción fragüen apropiadamente.



Garantía

El distribuidor garantiza al comprador original que este ensamble no presentará defectos de fabricación, que afecten su rendimiento como bañera o ducha, en las siguientes condiciones y sujeto a las limitaciones incluidas en las secciones "Resarcimientos" y "Limitaciones de la garantía". La Garantía limitada se aplica durante 10 años a partir de la fecha de compra si el ensamble se usa en un edificio residencial ocupado por el propietario sin fines comerciales o durante 2 años a partir de la fecha de compra si se usa en cualquier otro edificio, incluido cualquier edificio con fines de alquiler o comerciales. Esta Garantía limitada es nula si el ensamble no se instala de acuerdo con las instrucciones de instalación provistas por el distribuidor o los códigos y ordenanzas de construcción locales, o si no se siguen las instrucciones de cuidado y limpieza provistas por el distribuidor. Esta Garantía limitada también es nula si el ensamble se traslada de la ubicación de su instalación inicial o está sujeto a accidente, abuso o uso inadecuado. La Garantía limitada excluye el desgaste normal. Esta Garantía limitada se anulará, a menos que cualquier falla o incumplimiento se descubra antes de la caducidad de esta garantía y sea informado al distribuidor, por escrito, acompañado del comprobante de compra original, dentro de los 30 días siguientes al descubrimiento. RECURSOS: el recurso del comprador original bajo esta Garantía limitada se limita a la reparación, reemplazo o reembolso del precio de compra del ensamble, a juicio exclusivo del distribuidor, de cualquier parte del ensamble que haya fallado o no se ajuste a las especificaciones del fabricante, limitado a daños o pérdida de uso del edificio o su contenido, que surjan de cualquier defecto en el ensamble ni el distribuidor será responsable de ningún monto que exceda el precio de compra original del accesorio. El distribuidor se reserva el derecho a solicitar la devolución, a expensas del comprador, del ensamble dañado para su reparación o cambio antes de proporcionar servicios de acuerdo con esta Garantía limitada. Si el distribuidor opta por reemplazar el ensamble, su obligación se limita a proporcionar una unidad de reemplazo o pieza componente de tamaño y estilo comparables, y no incluye el costo de retiro, instalación o transporte, que debe ser asumido por el comprador. Las piezas de repuesto proporcionadas de acuerdo con esta Garantía limitada cuentan con una garantía durante el resto del período de garantía original aplicable al ensamble, como si dichas piezas fueran los componentes originales del ensamble. LIMITACIONES DE LA GARANTÍA: NO EXISTEN GARANTÍAS QUE SE EXTIENDAN MÁS ALLÁ DE LA DESCRIPCIÓN QUE APARECE AQUÍ DE LAS GARANTÍAS IMPLÍCITAS, INCLUIDAS AQUELLAS DE COMERCIALIZACIÓN O DE IDONEIDAD PARA UN PROPÓSITO ESPECÍFICO, QUE HAYAN SIDO NEGADAS EXPRESAMENTE. EL DISTRIBUIDOR SE DESLINDA DE CUALQUIER Y TODA RESPONSABILIDAD POR DAÑOS ESPECIALES, RESULTANTES O ACCIDENTALES. Algunos estados no permiten las limitaciones de los daños accidentales o resultantes, de modo que las limitaciones y exclusiones anteriores pueden no aplicarse en su caso. En dichos estados, la responsabilidad del distribuidor se limitará en la medida que lo permita la ley estatal. CUALQUIER GARANTÍA IMPLÍCITA QUE SURJA BAJO LA LEY ESTATAL, INCLUIDA CUALQUIER GARANTÍA IMPLÍCITA DE COMERCIALIZACIÓN O CUALQUIER GARANTÍA IMPLÍCITA DE IDONEIDAD PARA UN FIN PARTICULAR, ESTÁ LIMITADA EN DURACIÓN Y ALCANCE DE LA COBERTURA A LAS CONDICIONES DE ESTA GARANTÍA LIMITADA, A MENOS QUE LA LEY PERMITA UN PERIODO MÁS CORTO.