

SILGRANIT®

Double Bowl 50/50 Undermount

Product Specifications

L U X A R T.

MODELS

- LX440069 Double Bowl, 10" bowl depths, ANTHRACITE
- LX440068 Double Bowl, 10" bowl depths, CAFÉ BROWN
- LX440071 Double Bowl, 10" bowl depths, WHITE
- LX440070 Double Bowl, 10" bowl depths, BISCUIT
- LX440072 Double Bowl, 10" bowl depths, METALLIC GRAY
- LX441226 Double Bowl, 10" bowl depths, BISCOTTI
- LX441290 Double Bowl, 10" bowl depths, TRUFFLE
- LX441473 Double Bowl, 10" bowl depths, CINDER



Model LX440069 shown in ANTHRACITE

FEATURES

- Required outside cabinet: 36"
- 80% solid granite
- Heat resistant up to 536°F
- Unsurpassed cleanability backed by industry leading 7 patents!
- Resistant to scratches, stains and all household acids and alkali solutions
- Template provided with approximate 1/8" reveal
- Undermount clips included
- Limited lifetime warranty

OPTIONAL ACCESORIES

- Blanco Sink Grid (left bowl): 222429
- Blanco Sink Grid (right bowl): 222469

CODE/STANDARDS COMPLIANCE

ANSI Z124.6-97
IAPMO/UPC listed

NOMINAL DIMENSIONS

OVERALL	CUTOUT SIZE	BOWL DEPTH		DRAIN DIAMETER
		LEFT	RIGHT	
33"X20"	Template provided with approximate 1/8" reveal	10"	10"	3-1/2"

DFX cutout templates available on our website

Contact your sales representative for more information or visit our website at luxartcollection.com

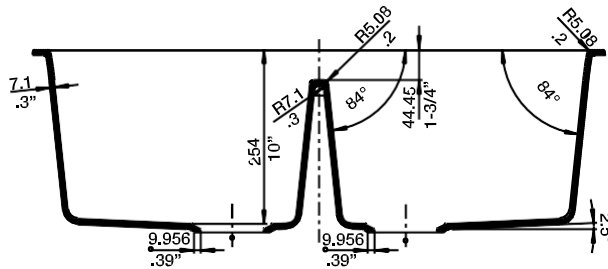
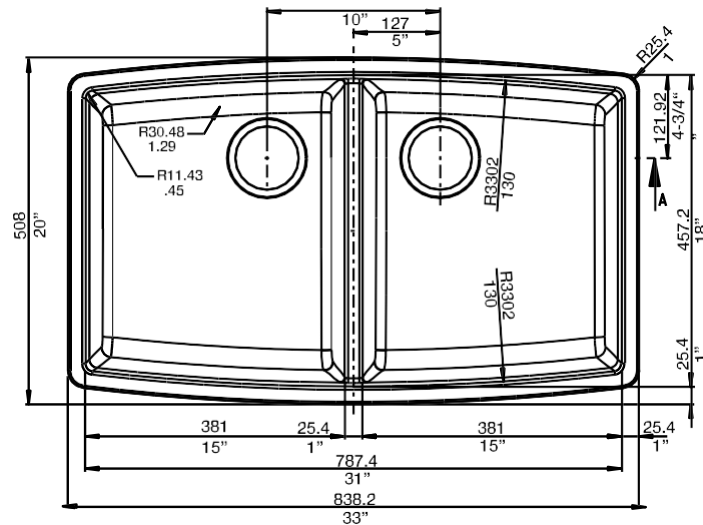
Revised 03-2017

SILGRANIT®

LUXART®

Double Bowl 50/50 Undermount

Product Specifications



Contact your sales representative for more information or visit our website at luxartcollection.com

Revised 03-2017