

# Freestanding Tub

LUXART® *AltaBella*

## Product Specifications

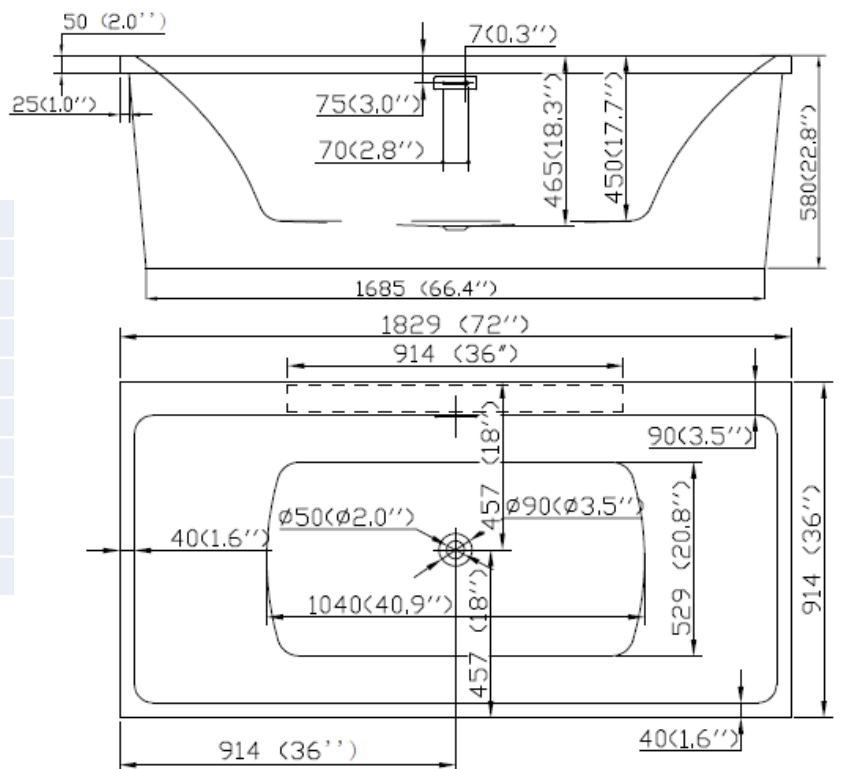
LUXART®  
**ZINZINI**  
**ZINZINI7236**

Luxart® ALTABELLA tubs are made from vacuum-formed acrylic sheets and have a deep, durable color layer. These versatile tubs are strong and lightweight, serving as the centerpiece of your bathroom. Pour into an AltaBella bath and enjoy a generous, deep soak like no other.



## TECHINCAL SPECIFICATIONS

Height	580 mm / 22.8 in
Width	914 mm / 36 in
Depth	465 mm / 18.3 in
Length	1829 mm / 72 in
Weight	143.30 pounds
Shipping Weight	167.52 pounds
Capacity (full)	110 Gallons
Capacity (to overflow)	92 Gallons
Drain	Centered Offset
Overflow	Integrated



## APPLICABLE STANDARDS/CODES

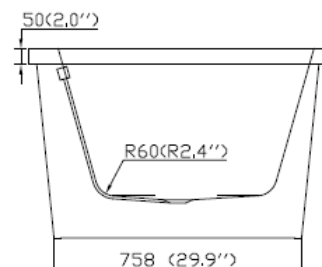
Specified model meets or exceeds the following:

- CSA B45.5-11/IAPMO Z124

## Warranty

See warranty information for more details.

All dimensions listed are nominal. LUXART® reserves the right to make product and material changes at any time without notice.



Contact your sales representative for more information or visit our website at [luxartcollection.com](http://luxartcollection.com)

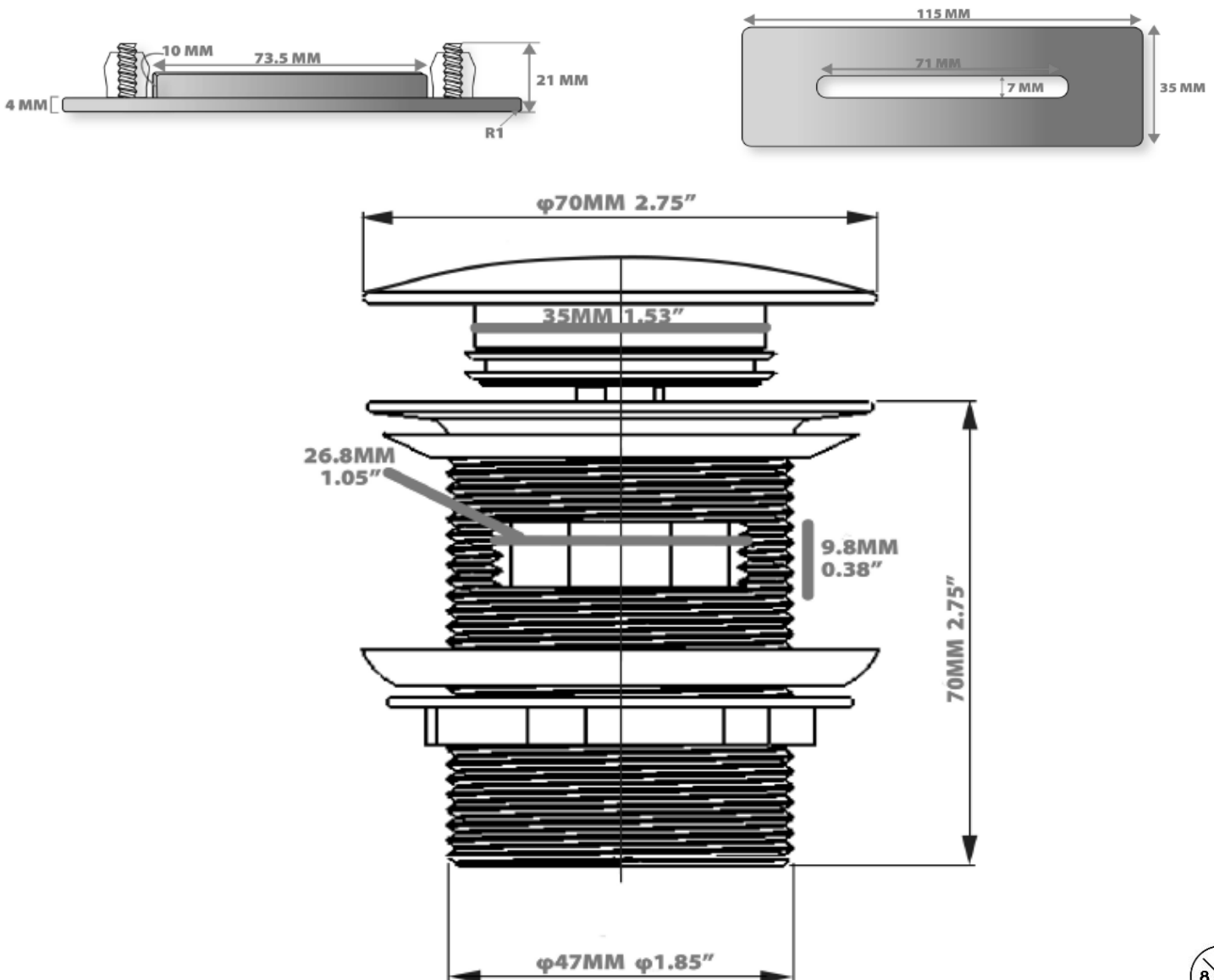
# Freestanding Tub

LUXART® *Alta Bella*

## Product Specifications

### TECHINCAL SPECIFICATIONS

Metal overflow drain cover. Integral bathtub drain assembly with integral overflow holes. Metal pop-up drain cover. Drain cover is interchangeable with different finish colors, purchased separately. Made of brass and metal components.



Contact your sales representative for more information or visit our website at [luxartcollection.com](http://luxartcollection.com)