



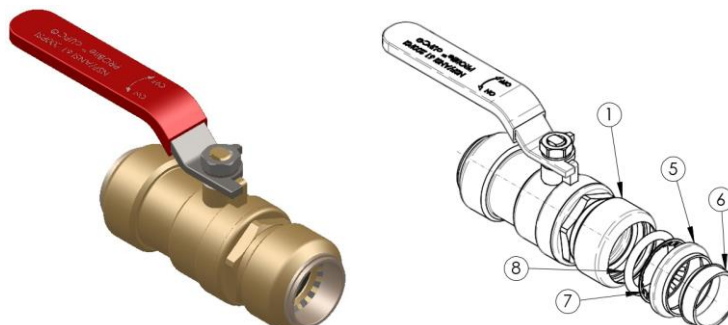
# Push Connect® Brass Full Port Ball Valves

## Product Specifications

**MAINLINE®**

### PRODUCT FEATURES

- Forged Lead Free\* Brass
- Maximum Working Pressure: 200 PSI
- Maximum Temperature Rating: 200° F
- Compatible with Copper, CPVC, PEX & PE-RT
- Replaceable O-Ring Seal Design
- Removable and Reusable
- Push to Connect
- Full Flow
- Available with Pre-Inserted Stiffener



### APPROVED APPLICATIONS

- Plumbing
- Heating
- Irrigation
- Underground
- Hydronic Heating
- Behind Walls without Access Panel

*NOTE: When using PEX, a tube stiffener should be inserted into the PEX tubing end prior to insertion into the fitting.*

### MATERIALS & SPECIFICATIONS

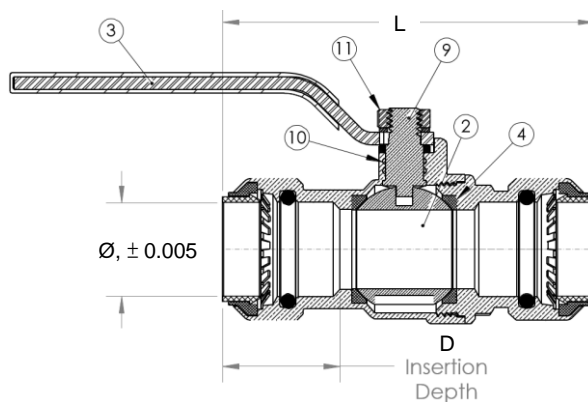
#	Component	Material
1	Body	Lead Free Brass
2	Ball	Chrome Plated
3	Handle	Chrome Plated
4	Seat	Nylon
5	Retaining Ring	POM
6	Release Ring	POM
7	Grip Ring	Stainless Steel
8	O-ring	EPDM
9	Stem	Lead Free Brass
10	Stem Seal	NBR
11	Nut	Stainless Steel

✓ To Submit	Part #	Size
	ML22222LF	1/2" x 1/2"
	ML22185LF	3/4" x 3/4"
	ML22223LF	1" x 1"
	ML22222LF-S	1/2" x 1/2" w/ Stiffener
	ML22185LF-S	3/4" x 3/4" w/ Stiffener
	ML22223LF-S	1" x 1" w/ Stiffener

### Warranty

See warranty information for more details.

All dimensions listed are nominal. MAINLINE® reserves the right to make product and material changes at any time without notice.



### DIMENSIONS

#	Ø	D	L
ML22222LF	0.64	1	2.95
ML22185LF	0.88	1.06	3.69
ML22223LF	1.142	1.31	3.96
ML22222LF-S	0.64	1	2.95
ML22185LF-S	0.88	1.06	3.69
ML22223LF-S	1.142	1.31	3.96

### FORCES FOR MECHANICAL SEPARATION TEST

Nominal Size		Longitudinal (Pull) Test	
Inches	mm	Lbf	N
1/2	13	150	667
3/4	19	275	1223.2
1	25	475	2112.8



Contact your sales representative for more information or visit our website at [mainlinecollection.com](http://mainlinecollection.com)