



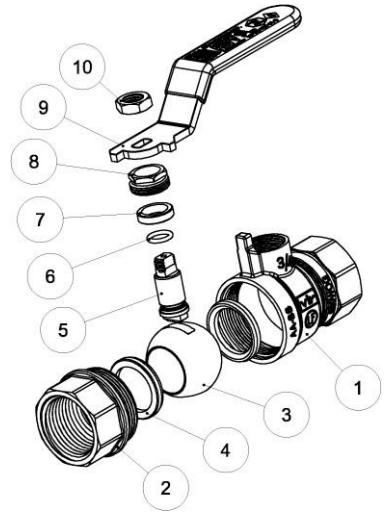
Lead Free Brass Ball Valve, Threaded

Product Specifications

✓ To Submit	Part #	Size
	ML5592AB-1/4	1/4"
	ML5592AB-3/8	3/8"
	ML5592AB-1/2	1/2"
	ML5592AB-3/4	3/4"
	ML5592AB-1	1"
	ML5592AB-11/4	1-1/4"
	ML5592AB-11/2	1-1/2"
	ML5592AB-2	2"
	ML5592AB-21/2	2-1/2"
	ML5592AB-3	3"

Product Features:

- 150# WSP / 600# WOG
- Lead Free Brass Body
- Full Port
- Adjustable Packing
- FNPT x FNPT
- Threaded ends (ASME B1.20.1-NPT)
- Blow-out proof stem
- Virgin PTFE seats
- MSS-SP-110
- CSA 1/2, 5 & 125 psi (1/4" - 2")
- CSA 1/2 psi (2 1/2" & 3")
- CSA ΔC (1/4" - 2")
- UL approved (1/4" - 2")
- AB1953, NSF/ANSI 61 & 372 certified

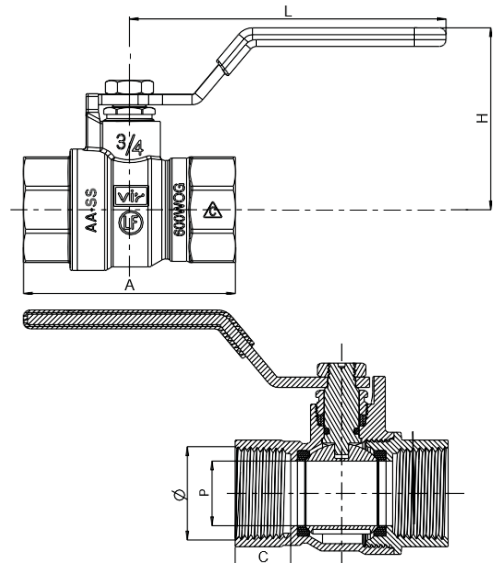


Materials & Specifications:

Item	Description	Material	Specification
1	Body	Lead Free Brass	ASTM B927 C27450
2	End Piece	Lead Free Brass	ASTM B927 C27450
3	Ball	Lead Free Brass / Cr Plated	ASTM B927 C27450
4	Seat	PTFE	PTFE
5	Stem	Lead Free Brass	ASTM B927 C27450
6	O-ring	FKM	NSF Approved
7	Packing	PTFE	PTFE
8	Packing Nut	Brass	ASTM B124 C37700
9	Handle	Steel / Dacromet® Plated	A36
10	Handle Nut	Steel / Zn Plated	A36

Dimensions (inches), Weights (lbs.), & Valve Data:

Size	Φ	A [in]	C [in]	H [in]	L [in]	P [in]	Cv	Wt. [lb]
1/4"	1/4 - 18 NPT	1.77	0.45	1.54	3.19	0.39	8	0.26
3/8"	3/8 - 18 NPT	1.77	0.45	1.54	3.19	0.39	8	0.28
1/2"	1/2 - 14 NPT	2.17	0.61	1.93	3.58	0.50	11	0.40
3/4"	3/4 - 14 NPT	2.40	0.63	2.05	3.58	0.73	26	0.56
1"	1 - 11.5 NPT	2.91	0.75	2.36	4.96	0.95	55	0.98
1 1/4"	1 1/4 - 11.5 NPT	3.31	0.77	2.60	4.96	1.22	103	1.34
1 1/2"	1 1/2 - 11.5 NPT	3.54	0.77	2.87	5.55	1.46	111	1.88
2"	2 - 11.5 NPT	4.09	0.79	3.25	5.55	1.95	353	2.96
2 1/2"	2 1/2 - 8 NPT	5.31	1.06	4.17	7.91	2.44	409	6.08
3"	3 - 8 NPT	6.02	1.14	4.53	11.06	2.91	530	8.94



Pressure/Temperature Ratings	
600 PSI from 15°F to 160°F	150 PSI Max at 366°F

Warranty

See warranty information for more details.

All dimensions listed are nominal. MAINLINE® reserves the right to make product and material changes at any time without notice.



Contact your sales representative for more information or visit our website at mainlinecollection.com