



Push Connect® Brass Slip Repair Couplings

Product Specifications

Page 1 of 2

MAINLINE®

PRODUCT FEATURES

- Forged Lead Free* Brass
- Maximum Working Pressure: 200 PSI
- Maximum Temperature Rating: 200° F
- Compatible with Copper, CPVC, PEX & PE-RT
- Replaceable O-Ring Seal Design
- Removable and Reusable
- Push to Connect
- Full Flow
- Available with Pre-Inserted Stiffener

APPROVED APPLICATIONS

- Plumbing
- Heating
- Irrigation
- Underground
- Hydronic Heating
- Behind Walls without Access Panel

NOTE: When using PEX, a tube stiffener should be inserted into the PEX tubing end prior to insertion into the fitting.



FORCES FOR MECHANICAL SEPARATION TEST

Nominal Size		Longitudinal (Pull) Test	
Inches	mm	Lbf	N
1/2	13	150	667
3/4	19	275	1223.2
1	25	475	2112.8

✓ To Submit	Part #	Size
	MLU3008LF	1/2" x 1/2"
	MLU3016LF	3/4" x 3/4"
	MLU3020LF	1" x 1"
	MLU3008LF-S	1/2" x 1/2" w/ Stiffener
	MLU3016LF-S	3/4" x 3/4" w/ Stiffener
	MLU3020LF-S	1" x 1" w/ Stiffener

Warranty

See warranty information for more details.

All dimensions listed are nominal. MAINLINE® reserves the right to make product and material changes at any time without notice.



*≤.25% Pb

Contact your sales representative for more information or visit our website at mainlinecollection.com



Push Connect[®] Brass Slip Repair Couplings

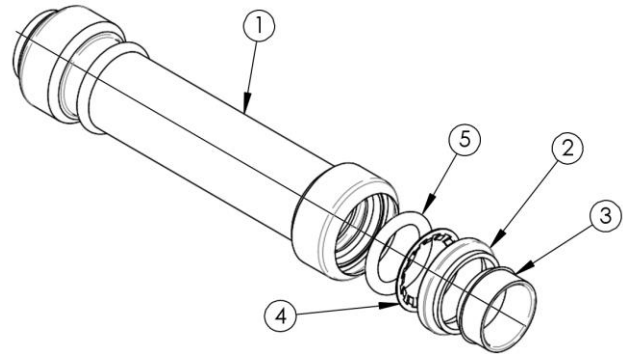
Product Specifications

Page 2 of 2

MAINLINE[®]

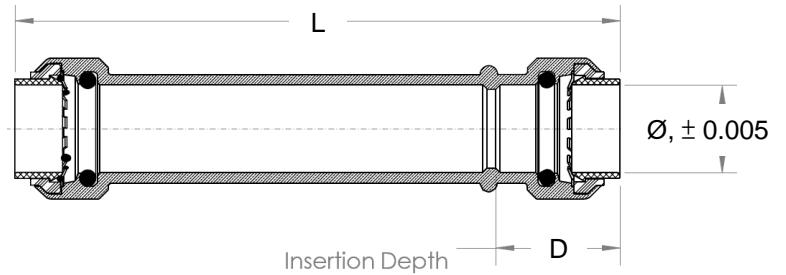
MATERIALS & SPECIFICATIONS

#	Component	Material
1	Body	Lead Free Brass
2	Seat Ring	POM
3	Push Ring	POM
4	Grip ring	Stainless Steel
5	O-Ring Seal	EPDM70



DIMENSIONS

#	Ø	D	L
MLU3008LF	0.64	1	4.43
MLU3016LF	0.88	1.06	4.37
MLU3020LF	1.142	1.31	4.49
MLU3008LF-S	0.64	1	4.43
MLU3016LF-S	0.88	1.06	4.37
MLU3020LF-S	1.142	1.31	4.49



Contact your sales representative for more information or visit our website at mainlinecollection.com

Revised 9/26/2017