

Standard Features

This Trim Kit can be used to finish a window that falls in the back of the Bathtub enclosure.

The Kit can be used with any type tub enclosure as long as the back-wall of the enclosure is relatively flat.

The Kit can accommodate windows up to 35" wide and 30" down into the wall enclosure.

The Kit comes in White.

Features

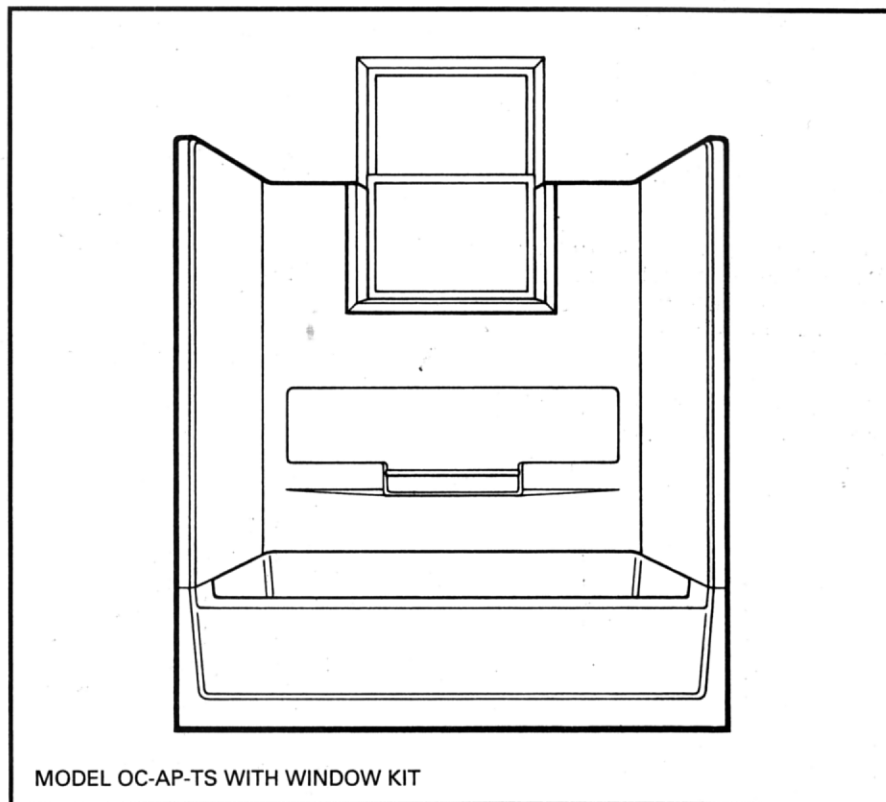
The material is impact resistant PVC.

Benefits

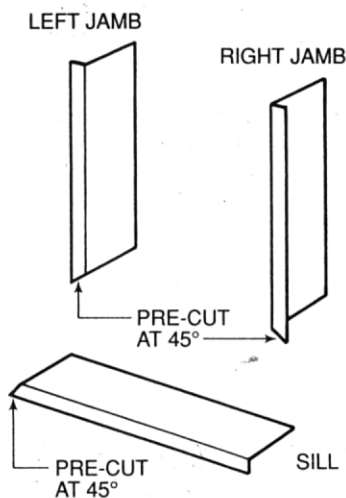
This product is designed for installation with Sterling V-260-HG Performa™ and OC-AP-TS Advantage™ tub/showers and TWS Tile Wall Surround. Other Sterling products and other manufacturers' products may not be compatible.

Materials Included

- Sill piece
- Right Jamb piece
- Left Jamb piece
- Tube of adhesive caulk
- Installation Instructions



MODEL OC-AP-TS WITH WINDOW KIT



Tools Required

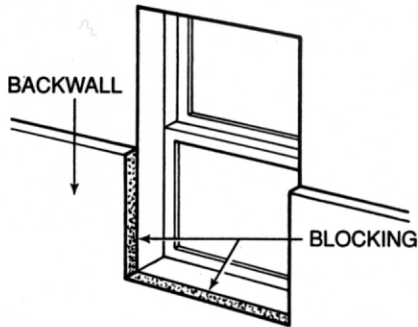
- Tape Measure
- Caulking Gun
- Circular Table or Saber Saw
- Coarse File
- Razor Knife
- Masking Tape
- Ink Pen
- Safety Glasses

Care and Cleaning

Clean using warm water and a mild detergent. Never use an abrasive scouring pad or abrasive cleaners.

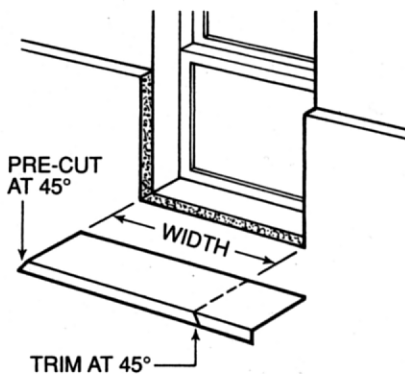
INSTALLATION

1. Cut the backwall of the tub/shower along the edges of the window opening and provide blocking material to support the backwall cut-out area.



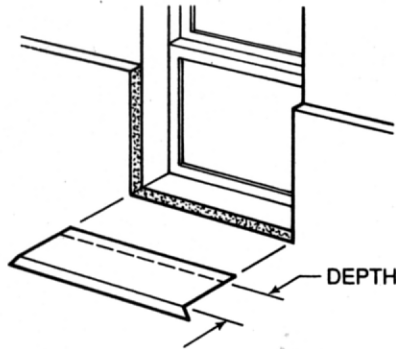
Use a saber saw with fine toothed blade (32 teeth per inch). Saw from the back or protect the surface with tape if sawcut is made from the front.

2. Measure width of window sill. Mark and cut sill piece to this dimension. Use a straight edge and trim the front lip at a 45° angle.

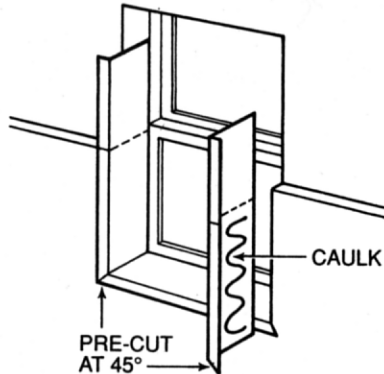


A razor knife may be needed to make angled cuts. Use a coarse file to smooth edges of cut surfaces.

3. Measure depth of window sill. Two measurements should be made, one near each end. Mark these dimensions at the appropriate locations on the sill piece. Draw a straight line through these two points and cut sill piece along the line. Measuring two locations allows for any out-of-square conditions.



4. Repeat step 3 for right and left jamb pieces.



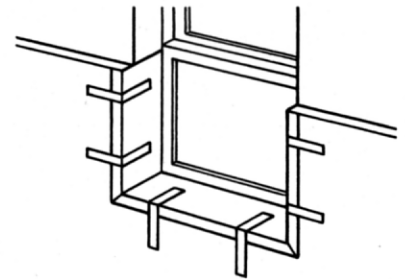
NOTE: Place window kit pieces into position at this time to check for proper fit.

5. With kit pieces in proper position, mark right and left jamb pieces at desired height; generally, along contour of top edge on back-wall. Cut jamb pieces on these lines.

6. Apply a bead of caulk along inside bend on each kit piece. Also apply caulk to backside of each piece in a zig-zag pattern for proper adhesion.

7. Place all pieces in position and press into place. Use a damp cloth to remove any excess or exposed caulk.

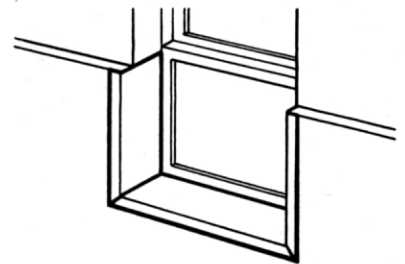
8. Place tape across each panel to hold them in position until the supplied caulk cures.



9. Once the supplied caulk has cured, remove tape. Apply a bead of caulk to each joint between sill and jamb pieces.

Also, apply a caulk bead along back edge near window and along front edges of all kit pieces.

10. Use a damp cloth to clean any excess caulk.



NOTE: Wait 24 hours after installation before using the unit. Allow all caulked areas to cure completely.

STERLING
KOHLER