

Thermostatic Mixing Valve Trim - Round

FEATURES

- For use with MiniUnit™ (TBN01001U)
- Temperature control trim with anti-scald safety top
- Unobtrusive twist assist for a clean aesthetic
- ASSE certified Safety Thermo™ (SMA) Thermostatic Mixing Valve
- **Requires volume control valve or positive shut off valve**

COLORS/FINISHES

- #CP Polished Chrome
- #PN Polished Nickel
- #BN Brushed Nickel

CODES/STANDARDS

- Meets or exceeds ASSE 1016/ASME A112.1016/CSA B125.16, ASME A112.18.1/CSA B125.1
- Certifications: IAPMO(cUPC), State of Massachusetts, City of Los Angeles, and others
- Code Compliance: UPC, IPC, NSPC, NPC Canada, and others
- Complies with CA Prop 65 warning requirements



PRODUCT SPECIFICATION

Product shall be TOTO Model TBV01406U#____.
Product shall require TBN01001U MiniUnit (sold separately). Product shall be a temperature control valve and trim with anti-scald safety stop. Product shall be ASSE certified.



 **Safety Thermo™ (SMA)**

TBV01406U

Thermostatic Mixing Valve Trim - Round

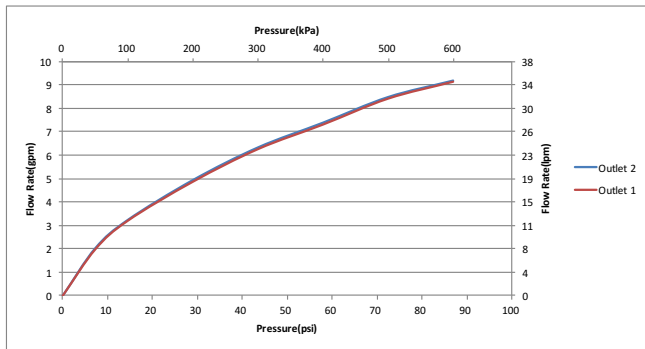
SPECIFICATIONS

Material	Brass
Warranty	Limited Lifetime (Residential Use) One Year (Commercial Use)
Shipping Weight	4.55 lbs
Shipping Dimensions	12" x 8-1/2" x 6-3/8"

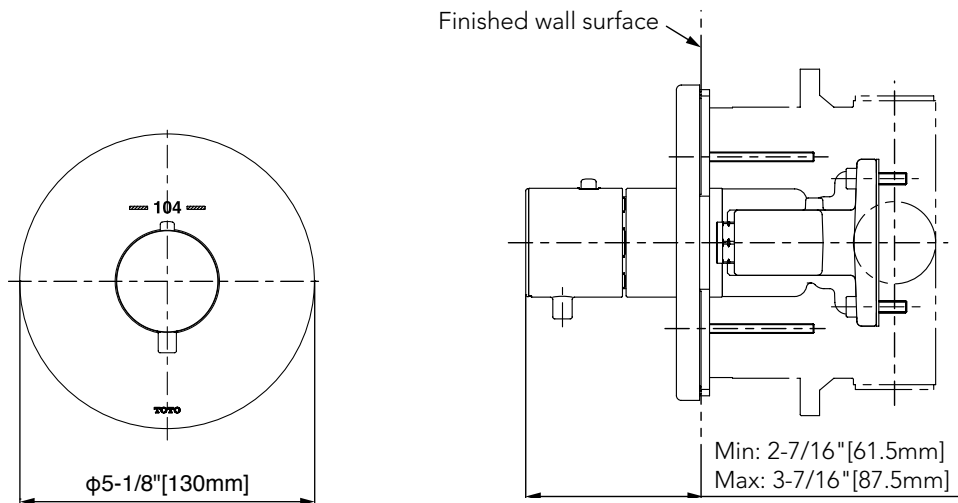
INSTALLATION NOTES

Requires TBN01001U MiniUnit (sold separately).

Shower installation will also require a separate valve & trim with positive shut-off (i.e. Volume control or diverter with off).



DIMENSIONS



TOTO

Ph: (888) 295-8134 | Fax: (800) 699-4889 | www.totousa.com | © TOTO USA

These dimensions and specifications are subject to change without notice

#SS-01292 v.01