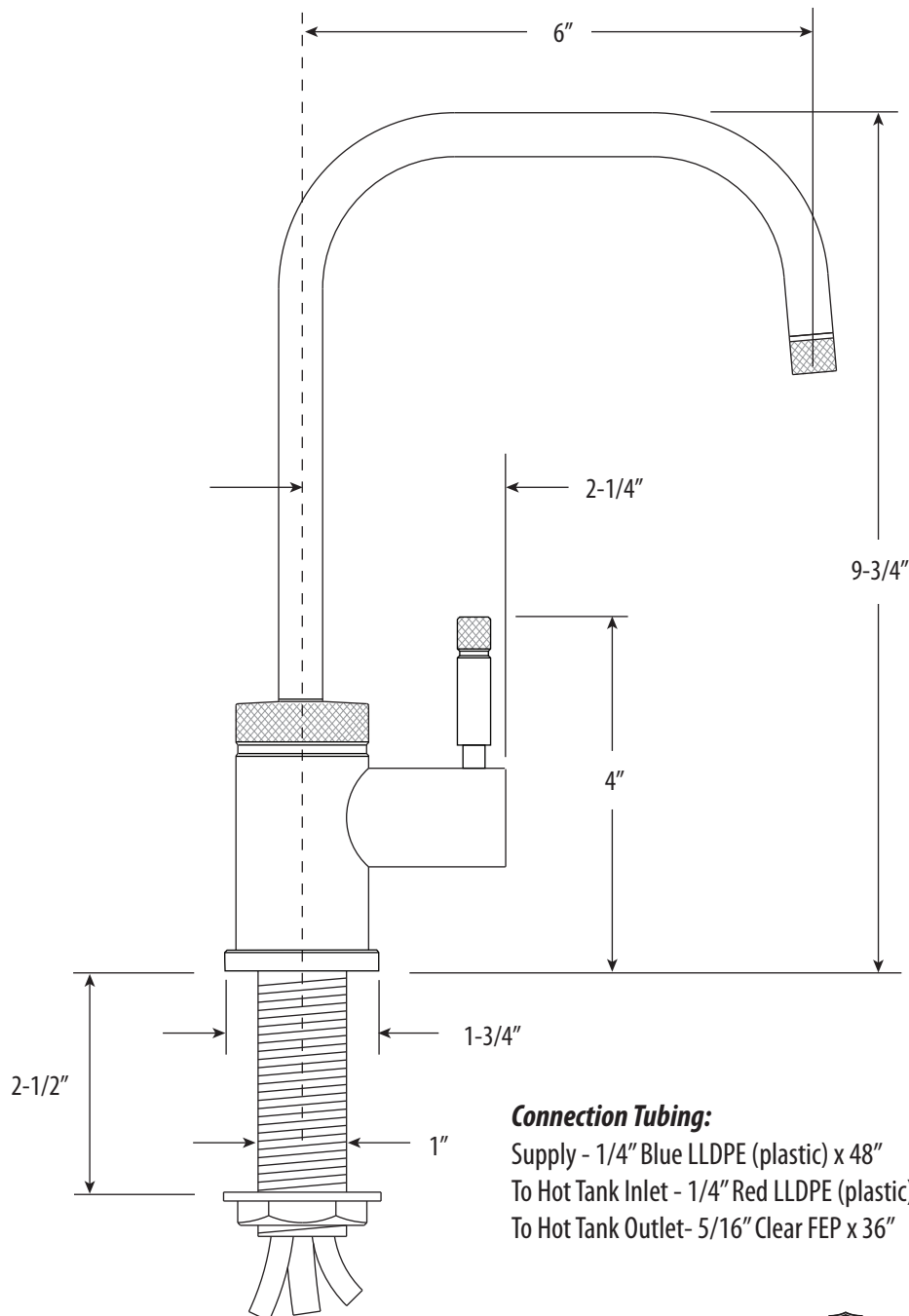


INDUSTRIAL HOT ONLY FILTRATION FAUCET / 2 BEND U-SPOUT

1455H

- Max Counter Thickness 2-1/2"
- Install Hole Size Adaptable Up to 1-3/8"



DIMENSIONS MAY VARY AND ARE SUBJECT TO CHANGE. NO RESPONSIBILITY IS ASSUMED FOR USE OF SUPERCEDED OR VOIDED DATA

INDUSTRIAL COLD ONLY FILTRATION FAUCET / 2 BEND U-SPOUT

1455H



Finish Shown - Polished Nickel

FEATURES

- Instant hot water on demand.
- For use with Waterstone Insta-Hot System.
- Modern knurling gives industrial look.
- Matches all Waterstone industrial style faucets and accessories.
- 2 bend U-spout has 6" reach and can swivel 360 degrees.
- 1.1 gpm maximum flow rate.
- Ergonomic single lever handle.
- Resistant to reverse osmosis water.
- Made from solid brass or 316 stainless steel.
- 1/4 turn ceramic disk valve cartridge.
- Lifetime functional warranty.
- Made in the USA.

CODES/STANDARDS APPLICABLE

Specified model meets or exceeds the following:

- **ASME A112.18.1**
- **CSA B125.1**
- **NSF 61, 372**
- **CALGreen**
- **ADA compliant**



AVAILABLE IN 32 FINISHES + SOLID 316 MARINE GRADE STAINLESS STEEL