



California Faucets®

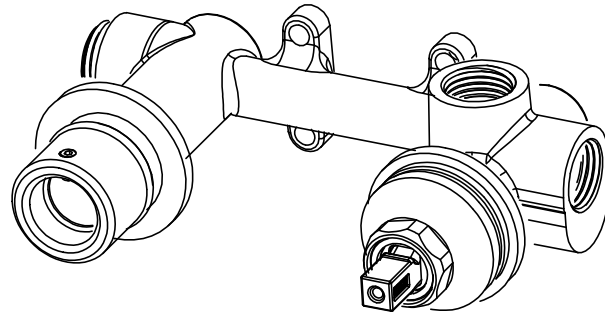
WALL VESSEL

SINGLE HANDLE VESSEL ROUGH IN VALVE SET

CF-SVLH-R

Features

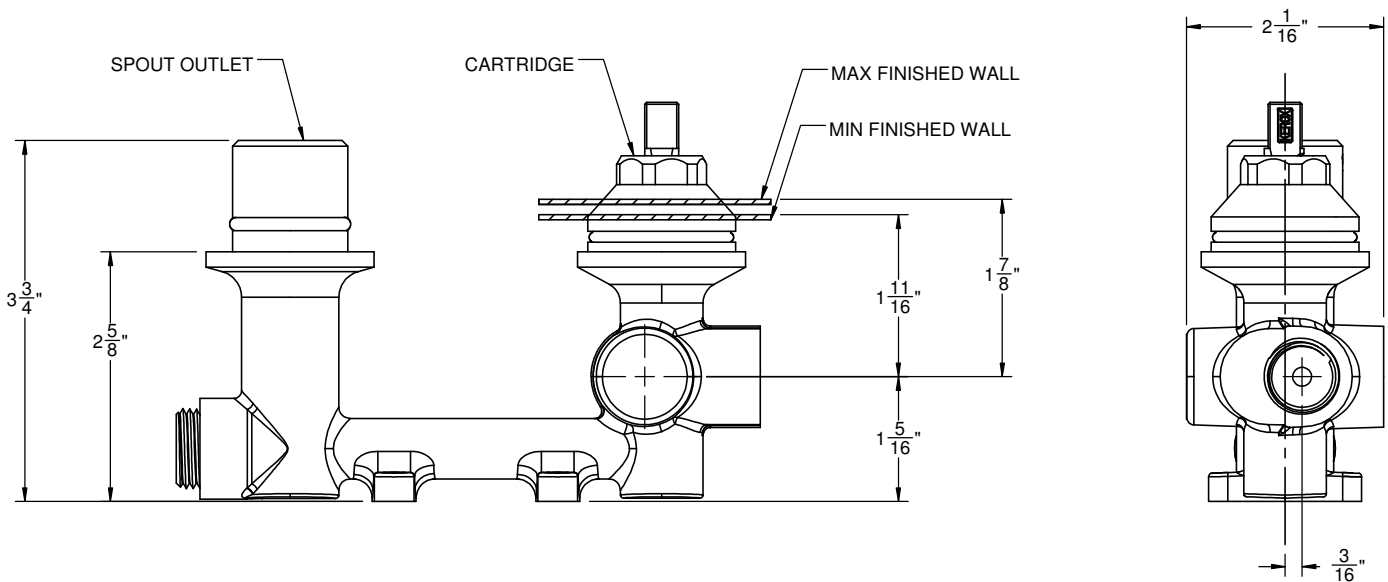
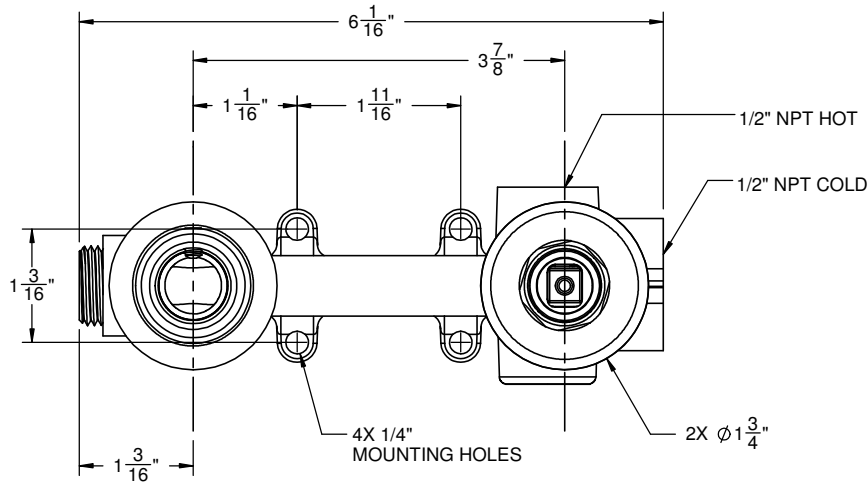
- Forged brass construction
- Ceramic mixing cartridge
- 1/2" FIP - 2 inlet
- Spout specific outlet
- Product includes mudflaps
- No extension available



Codes/Standards

Product meets or exceeds the following:

- ASME A112.18.1/CSA B125.1
- NSF/ANSI 61 & NSF/ANSI 372



SPECIFICATION SUBJECT TO CHANGE WITHOUT NOTICE

ALL DIMENSIONS SHOWN TO NEAREST 1/16"